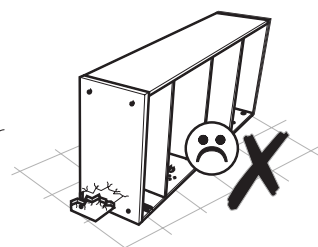
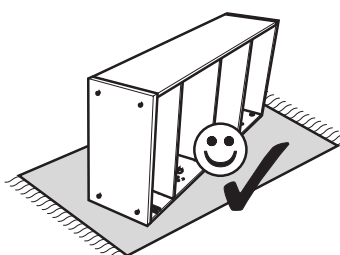
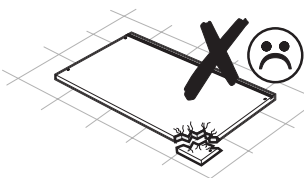
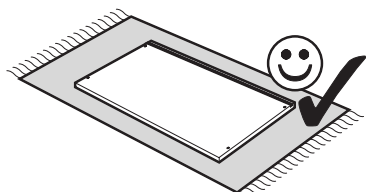
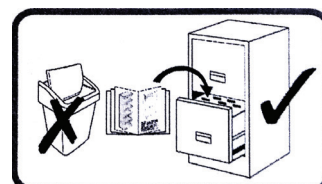
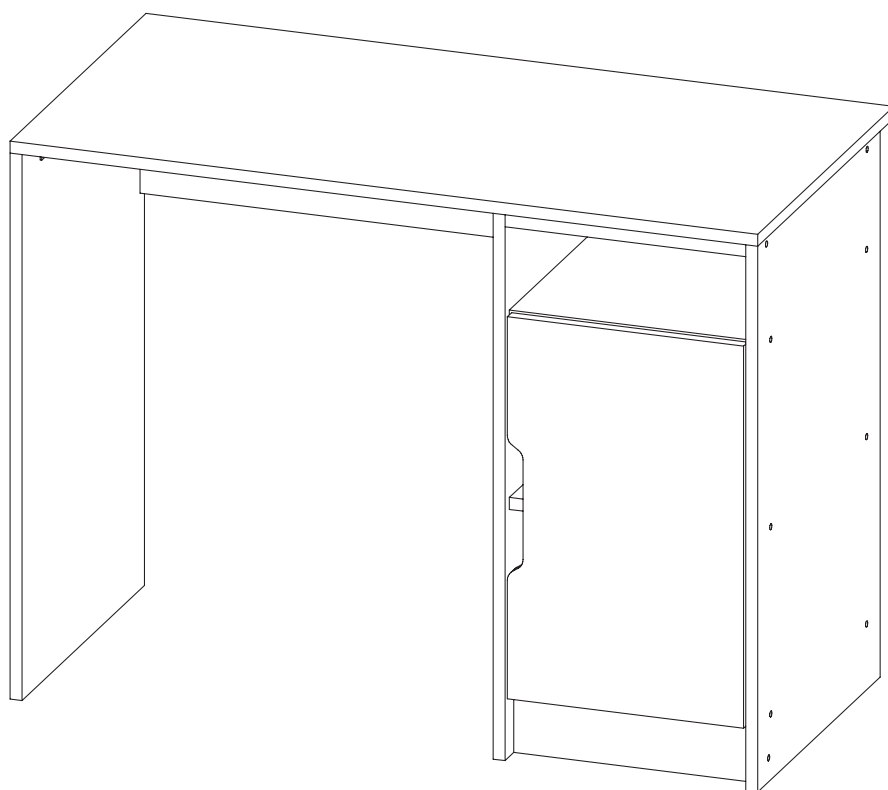
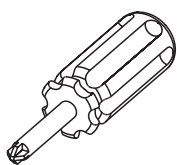
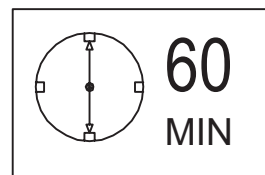
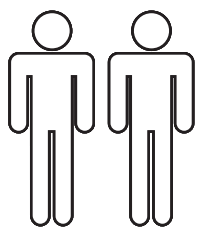

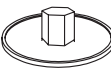



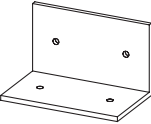
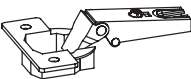
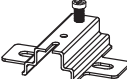
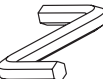


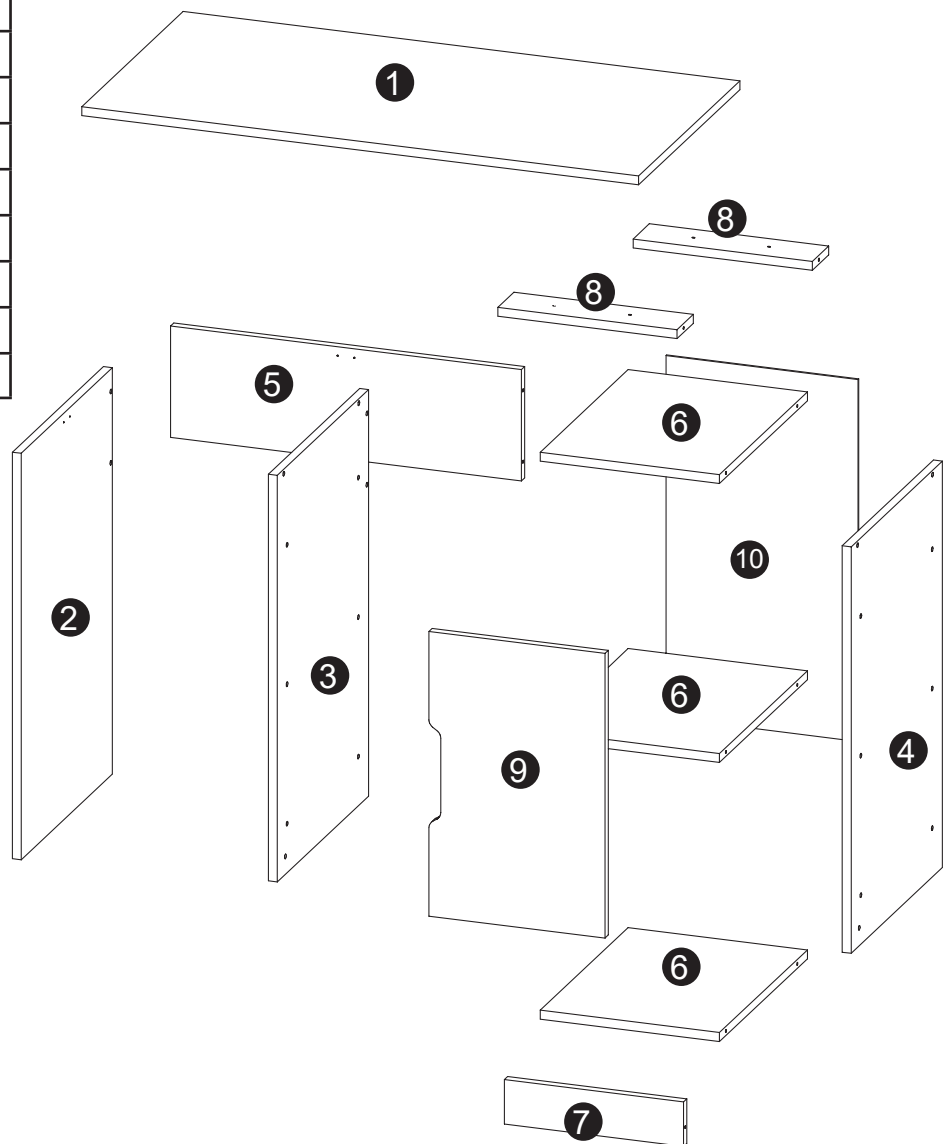
# TABLE 5




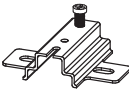
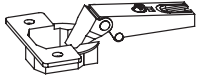
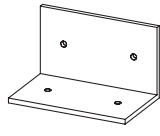
# TABLE 5

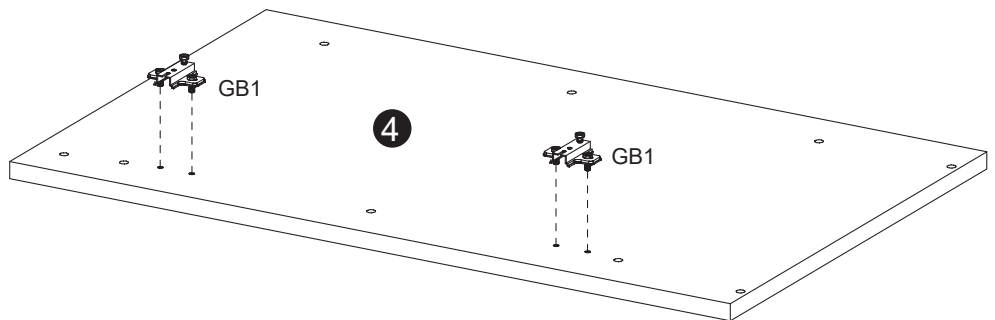
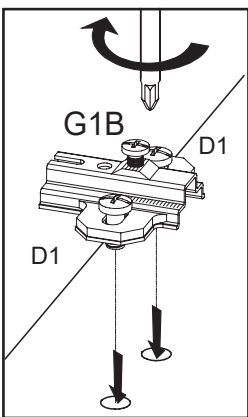
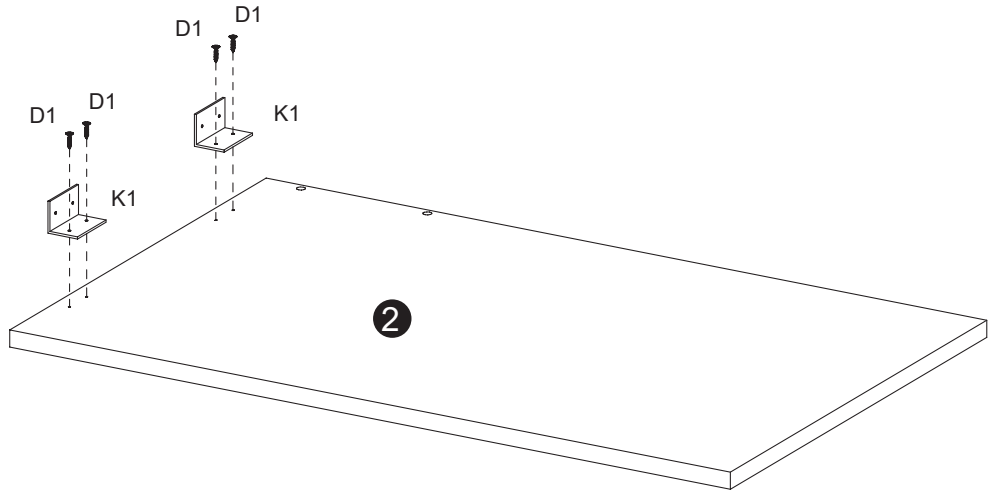
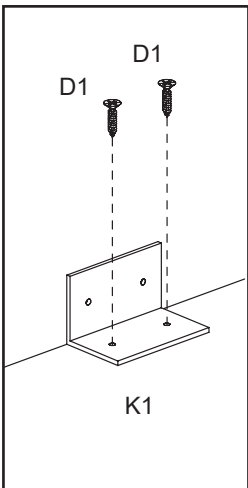
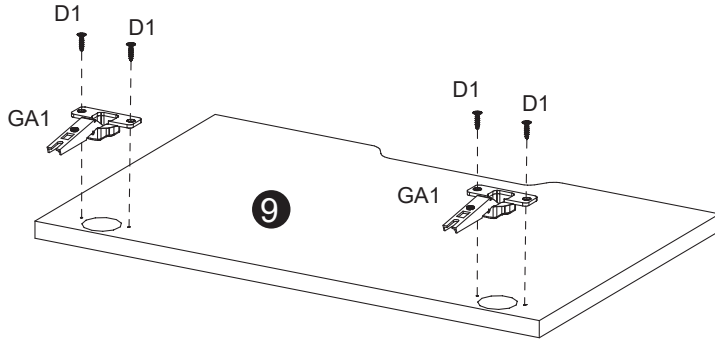
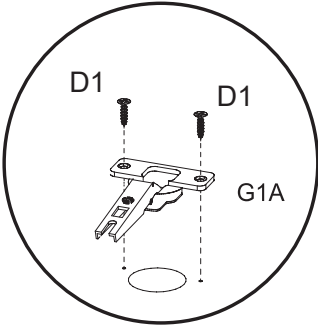
<b>B1</b>  x22	<b>B03</b>  x22	<b>D0</b>  3,0x15 x20
<b>D1</b>  3,5x16 x16	<b>D2</b>  3,5x30 x4	<b>K1</b>  x2
<b>G1A</b>  x2	<b>G1B</b>  x2	<b>Z</b>  x1

1	1000 x 500	1
2	730 x 450	1
3	730 x 450	1
4	730 x 450	1
5	634 x 200	1
6	318 x 434	3
7	318 x 80	1
8	318 x 80	2
9	514 x 312	1
10	650 x 345	1

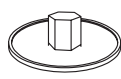
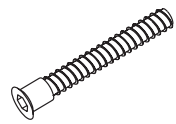
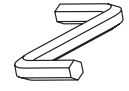


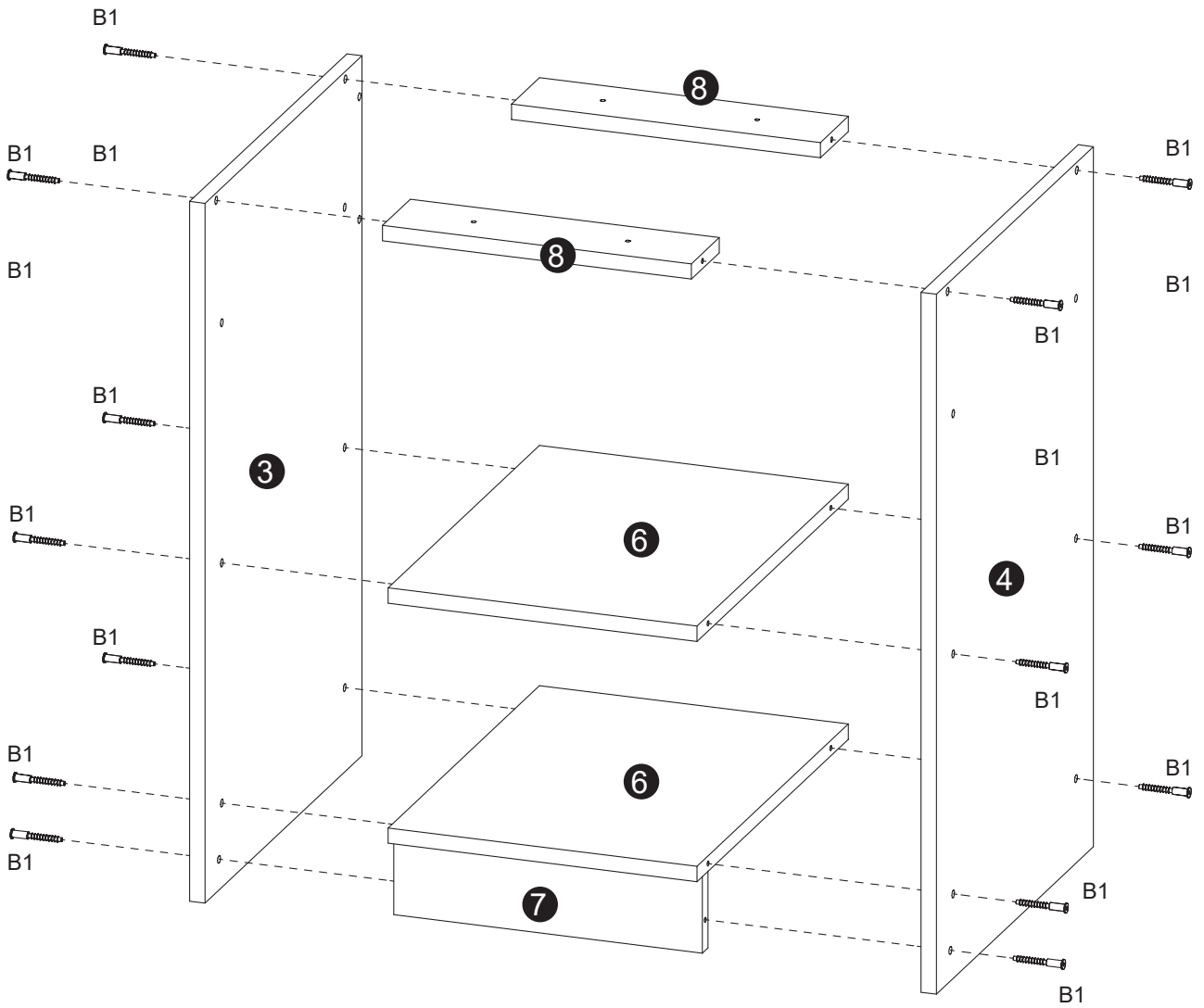
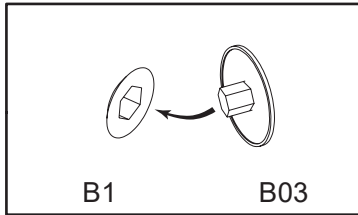
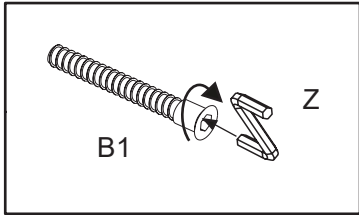
**1**

<p>D1</p>  <p>3,5x16</p> <p>x12</p>	<p>G1B</p>  <p>x2</p>	<p>G1A</p>  <p>x2</p>
		<p>K1</p>  <p>x2</p>

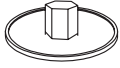
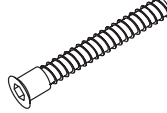
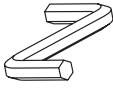


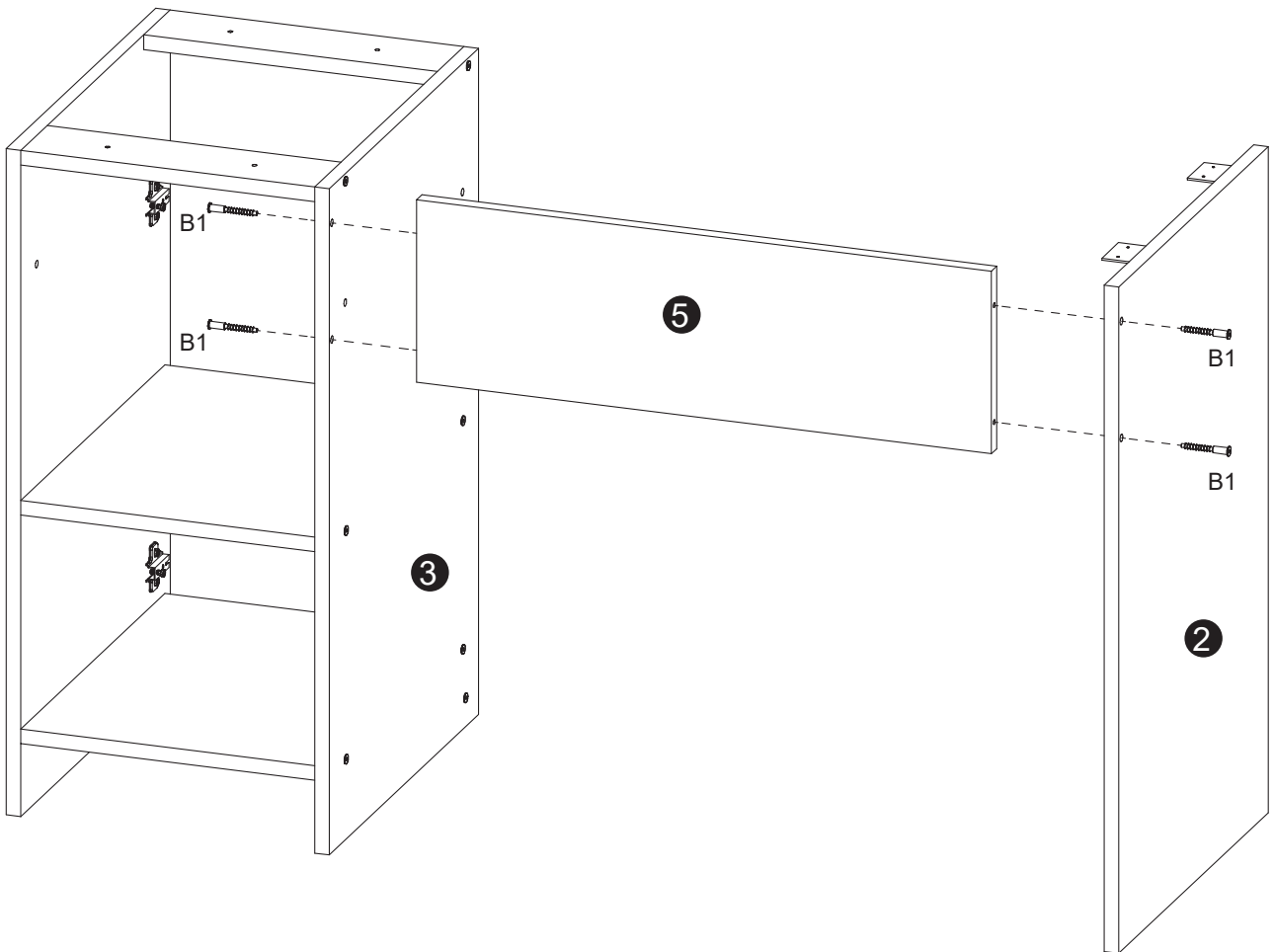
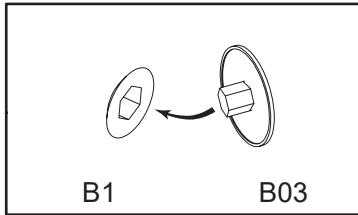
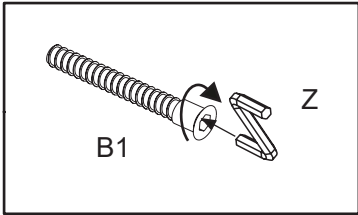
# 2

<p><b>B03</b></p>  <p>x14</p>	<p><b>B1</b></p>  <p>x14</p>	<p><b>Z</b></p>  <p>x1</p>
--	---	---

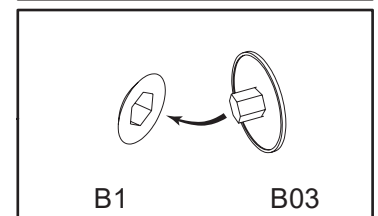
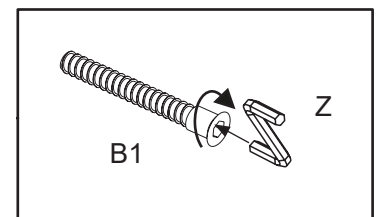
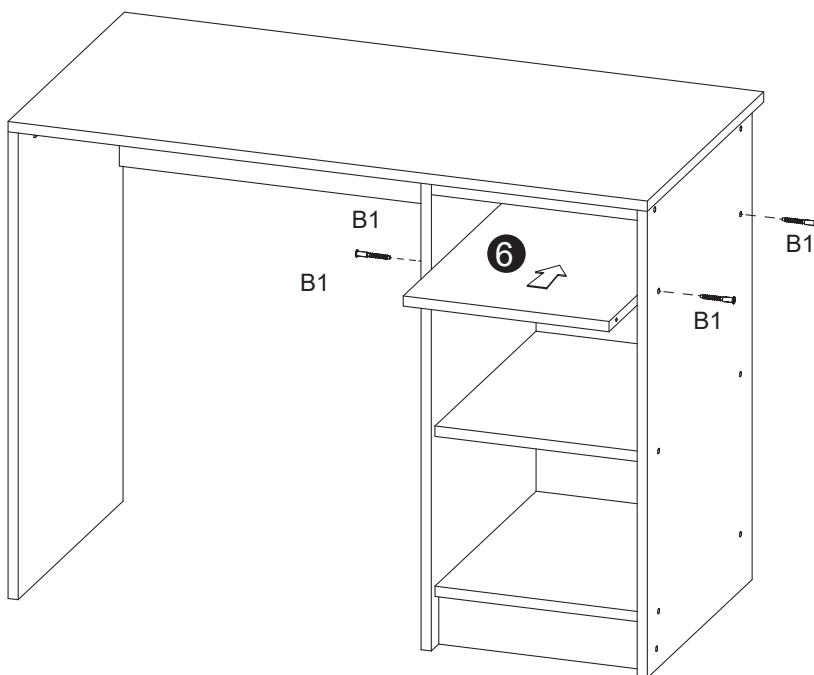
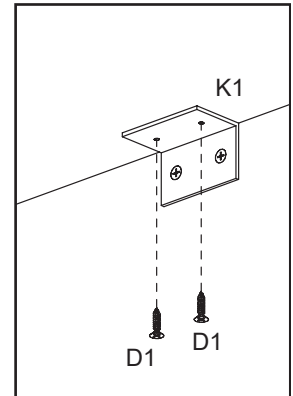
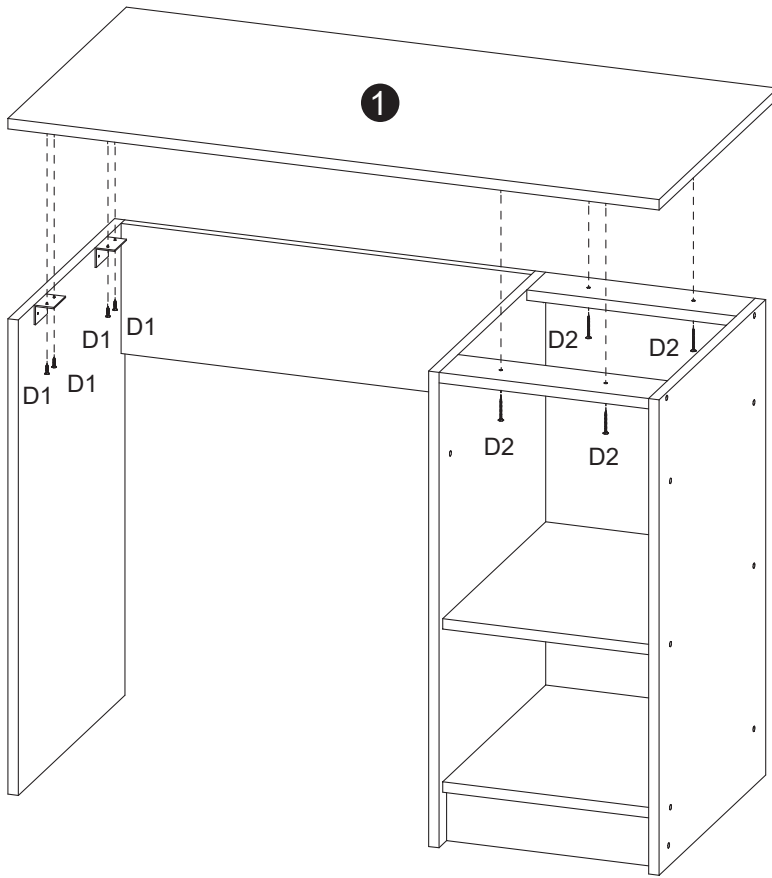
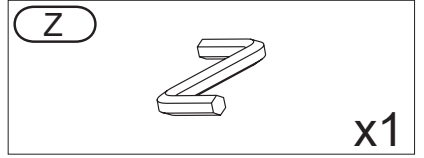
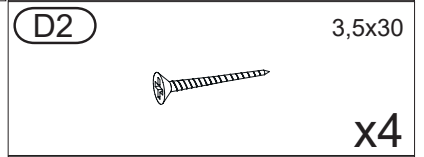
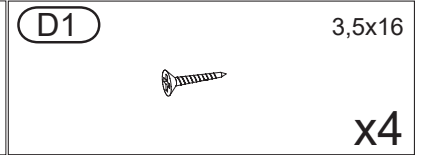
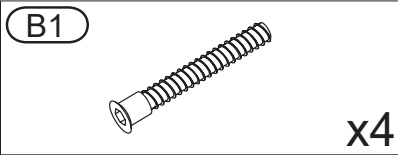
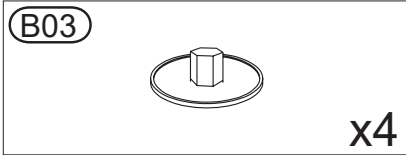


# 3


<p><b>B03</b></p>  <p>x4</p>	<p><b>B1</b></p>  <p>x4</p>	<p><b>Z</b></p>  <p>x1</p>
---	--	---

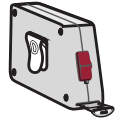


**4**

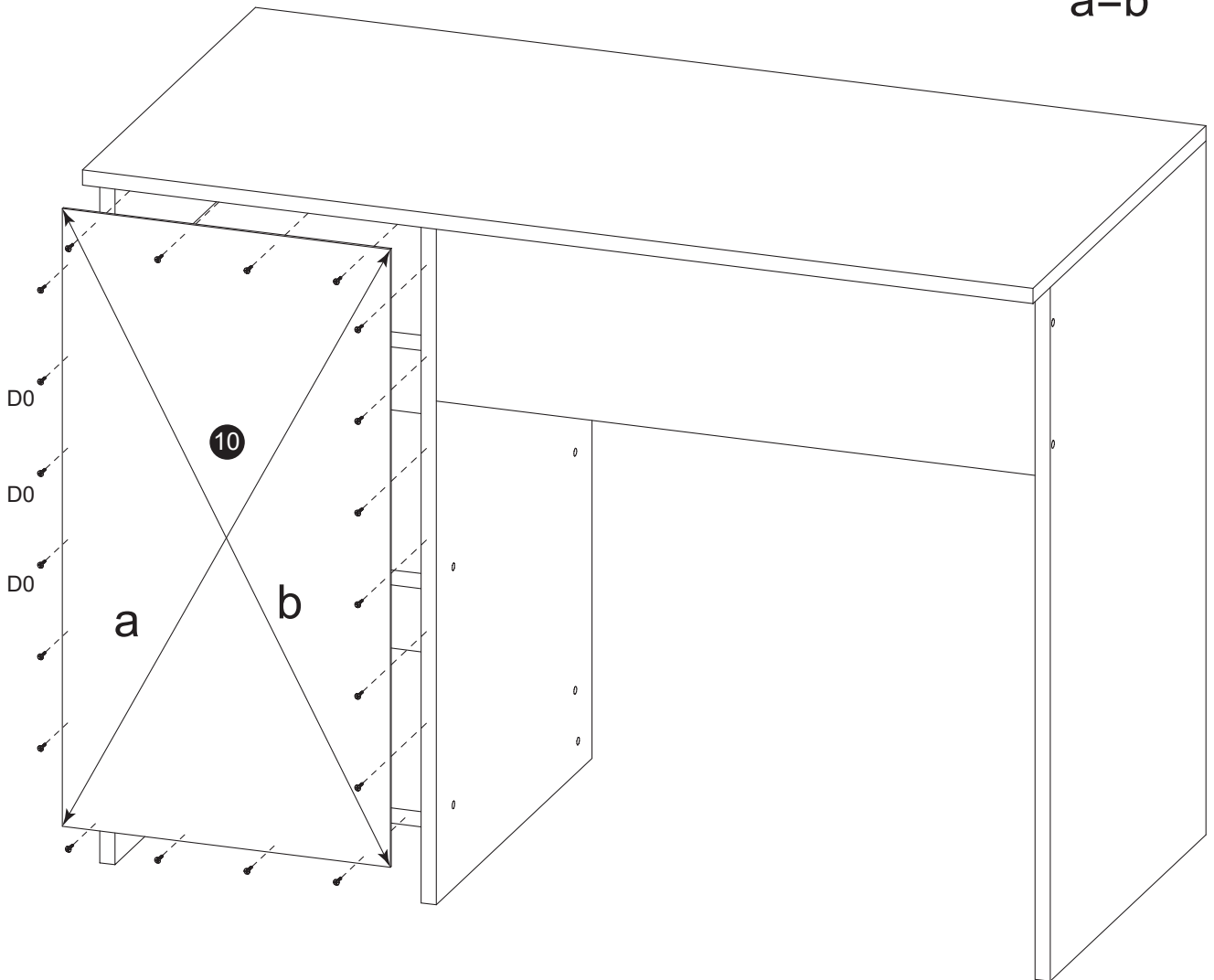


**5**

D0 3,0x15  
  
x20



a=b



6

