
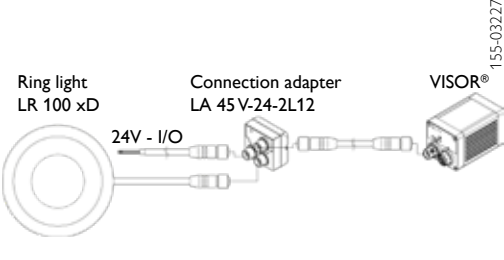
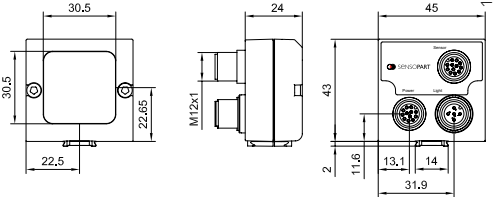
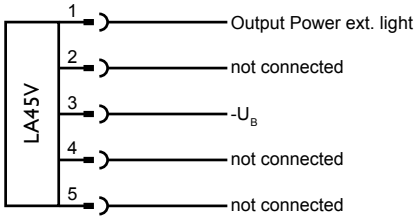
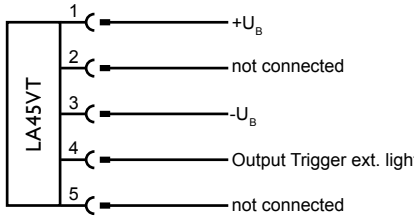


# Accessories

## Adapter

### Connection adapter for illumination on VISOR®

	 <p>Ring light LR 100 xD</p> <p>Connection adapter LA 45 V-24-2L12</p> <p>24V - I/O</p> <p>VISOR® 155-03227</p>	 <p>30.5</p> <p>30.5</p> <p>22.5</p> <p>22.65</p> <p>M12x1</p> <p>24</p> <p>43</p> <p>45</p> <p>2</p> <p>11.6</p> <p>13.1</p> <p>14</p> <p>31.9</p> <p>153-00916</p>
	 <p>1 — Output Power ext. light</p> <p>2 — not connected</p> <p>3 — -U<sub>B</sub></p> <p>4 — not connected</p> <p>5 — not connected</p> <p>LA45V</p> <p>154-00502</p>	 <p>1 — +U<sub>B</sub></p> <p>2 — not connected</p> <p>3 — -U<sub>B</sub></p> <p>4 — Output Trigger ext. light</p> <p>5 — not connected</p> <p>LA45VT</p> <p>154-00555</p>

M12 plug 5-pin,  
2x12 plug 12-pin

LA45V-24-2L12

LA 45 VT-24-2L12

525-01001

525-01002

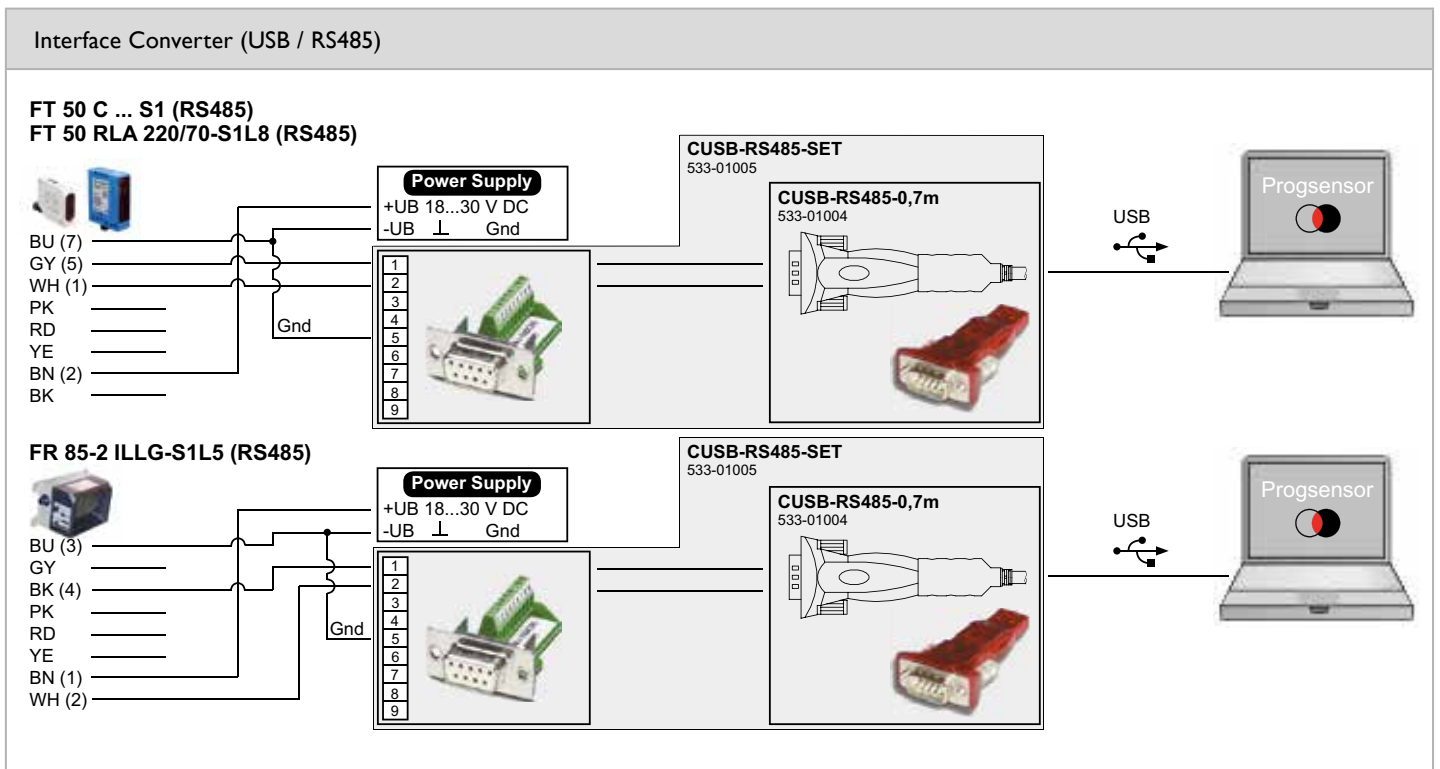
Connection adapter, illumination

VISOR® connection adapter for LED illumination with 5-pin M12 plug

VISOR® connection adapter with 5-pin M12 socket for LED illumination with trigger line

## Converters and adapter lines

Part number	Article number	Description
USB ↔ RS485 CUSB-RS485-SET	533-01005	<b>Converters and adapter lines</b> Set: Interface converter incl. CR-ROM, line 0.7 m, USB ↔ RS485 and D-SUB socket, 9-pin, socket, for PC connection of sensors to RS485 interface. Parameterisation F 50 via "ProgSensor" software Interface converter incl. CD-ROM, cable 0.7 m, USB ↔ RS485
CUSB-RS485-0,7m	533-01004	



# Sensolo

Service tool for parameterization of sensors with IO-Link



## PRODUCT HIGHLIGHTS

- Parameterization tool for sales, service and development
- Connects an IO-Link sensor to a windows PC via USB
- Intuitive user interface for visualizing and editing the IO-link parameters

Functions	
LED green: permanently on	Device ready for operation, no IO-Link communication
LED green: permanent flash	Device ready for operation, active IO-Link communication
LED red: permanently on	Error message

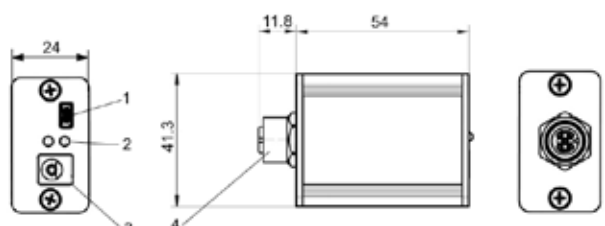
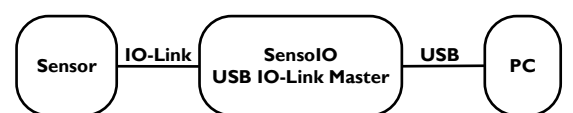
Electrical data		Mechanical data	
Output voltage USB mode	24V DC	Dimensions	54 x 41.3 x 24 mm
Output current USB mode	max. 65 mA	Enclosure rating	IP 20
Output voltage mains operation	$\triangleq$ input voltage	Material, housing	Aluminium anodised
Output current mains operation	max. 500 mA	Ambient temperature: operation	-0 ... +55 °C
Input voltage Sensolo external power supply	24V DC (EN 60950)	Weight	~ 100 g
Input current Sensolo external power supply	max. 600 mA		
Protective circuit	Short-circuit protection		

IO-Link	
Communication mode	COM 1, COM 2, COM 3
Specification	1.0 / 1.1
Number of Ports	1

Part number	Article number	Description
Sensolo <sup>1</sup>	901-01001	IO-Link USB-Master

<sup>1</sup> incl. USB-cable: USB-A to mini-USB

Accessories	
Connection cable	From Page A-46

Dimensional drawing	Connection 5-pin																																				
 <p style="font-size: small; margin-top: 10px;">             1 USB 2.0 (mini USB)              2 LED              3 24V DC D5.5/2.1 mm              4 M12, Type A           </p>	<div style="text-align: center; margin-bottom: 20px;">  </div> <table border="1" style="width: 100%; border-collapse: collapse; font-size: x-small;"> <thead> <tr style="background-color: black; color: white;"> <th style="width: 15%;">IO-LINK</th> <th style="width: 10%;">PIN</th> <th style="width: 35%;">SIGNAL</th> <th style="width: 15%;">USB</th> <th style="width: 10%;">PIN</th> <th style="width: 15%;">SIGNAL</th> </tr> </thead> <tbody> <tr> <td></td> <td>1</td> <td>24V DC</td> <td></td> <td>1</td> <td>5V DC</td> </tr> <tr> <td></td> <td>2</td> <td>not connected</td> <td></td> <td>2</td> <td>D-</td> </tr> <tr> <td></td> <td>3</td> <td>GND</td> <td></td> <td>3</td> <td>D+</td> </tr> <tr> <td></td> <td>4</td> <td>IO-Link</td> <td></td> <td>4</td> <td>not connected</td> </tr> <tr> <td></td> <td>5</td> <td>not connected</td> <td></td> <td>5</td> <td>GND</td> </tr> </tbody> </table>	IO-LINK	PIN	SIGNAL	USB	PIN	SIGNAL		1	24V DC		1	5V DC		2	not connected		2	D-		3	GND		3	D+		4	IO-Link		4	not connected		5	not connected		5	GND
IO-LINK	PIN	SIGNAL	USB	PIN	SIGNAL																																
	1	24V DC		1	5V DC																																
	2	not connected		2	D-																																
	3	GND		3	D+																																
	4	IO-Link		4	not connected																																
	5	not connected		5	GND																																

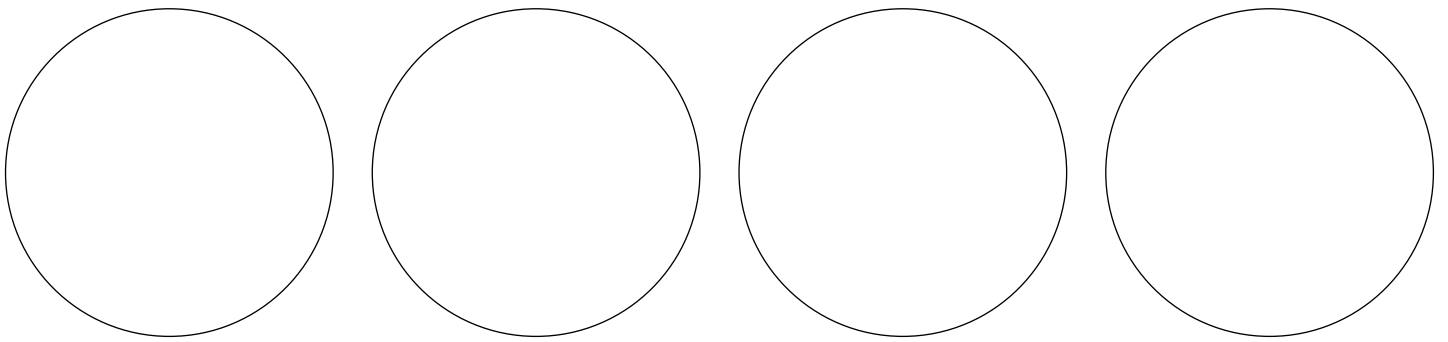
153-01277

155-02036

# Accessories

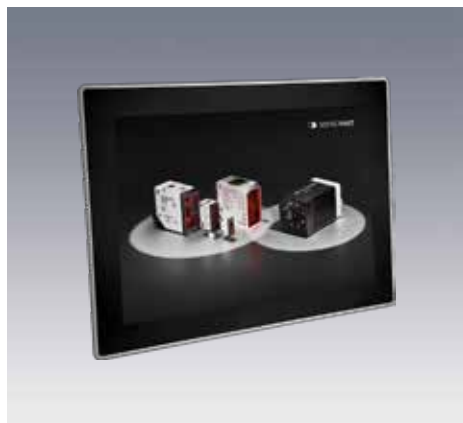
## Power supply units and switching devices

Power supply units and switching devices		
	<p>Part number / Article number</p> <p>Description</p>	<p>ST-05 / 997-51467</p> <p>Sensor tester for PNP and NPN sensors</p> <ul style="list-style-type: none"> <li>– battery operated, 2 x 9 Volt (supplied)</li> <li>– with acoustic and optical signalling of switching output</li> </ul>
	<p>Part number / Article number</p> <p>Description</p>	<p>PA L4M4-TI / 997-51465</p> <p>Teach-in unit for programming of SmartPlugs and sensors with Teach input</p> <ul style="list-style-type: none"> <li>– power supply voltage connection via 3-wire cable</li> <li>– M8 and M12 connection plugs</li> </ul>
	<p>Part number / Article number</p> <p>Description</p>	<p>Setup Box FR 85-2 ILLX / 533-11016</p> <p>Setup Box for FR 85 Rail Pilot system. Enables parameterisation of the switching points of FR 85 via PC</p> <ul style="list-style-type: none"> <li>– Connection of power supply via plug M12, 5-pin</li> <li>– M12, 8-pin</li> <li>– Plug adapter M12, 8-pin to M12, 5-pin for the connection of FR 85 (5-pin)</li> <li>– RS232 interface for connection to PC</li> <li>– Gender Changer</li> <li>– Null modem adapter</li> </ul>
	<p>Part number / Article number</p> <p>Description</p>	<p>ST M12-12 / 994-51135</p> <p>Power supply unit for VISOR®, M12 connector, 12-pin, Europlug</p> <ul style="list-style-type: none"> <li>– connection of power supply voltage via Europlug</li> <li>– M12 connector</li> </ul>
	<p>Part number / Article number</p> <p>Description</p>	<p>ST M12-12-M / 994-51138</p> <p>Power supply unit for VISOR®, M12 connector, 12-pin, Multiplug</p> <ul style="list-style-type: none"> <li>– connection of power supply voltage via Multiplug</li> <li>– M12 connector</li> </ul>
	<p>Part number / Article number</p> <p>Description</p>	<p>ST V10 / 543-11022</p> <p>Demo and Test Box for all VISOR® types. Allows test mode with simulation of inputs (triggers, etc.) and the display of outputs. All I/Os are through-wired, so parallel operation with controller also possible.</p> <p>Connections:</p> <ul style="list-style-type: none"> <li>– VISOR® via 12-pin, plug-in screw terminal</li> <li>– Trigger sensor via 9-pin, plug-in screw terminal and encoder input</li> <li>– PLC via M12 plug, 12-pin</li> <li>– Power supply via 9-pin, plug-in terminal</li> <li>– Power supply via small device plug</li> <li>– Display of switching outputs via LEDs</li> <li>– Operation of inputs via buttons; NPN / PNP selectable</li> </ul>
	<p>Part number / Article number</p> <p>Description</p>	<p>Z-USB-VISOR® / 651-01000</p> <p>USB stick with VISOR® PC software</p>



# Panel PC

Display and configuration device for SensoPart vision sensors



## PRODUCT HIGHLIGHTS

- Display and configuration device for SensoPart vision sensors and systems
- Suitable for installation in switching cabinet doors and operating panels
- Completely preconfigured

Functions	
Resolution	1024 x 768
Aspect ratio	4 : 3
Technology	TFT
Colors	16.2 millions
Backlight	LED
Backlight life time	30,000 h
Luminance <sup>1)</sup>	350 cd/m <sup>2</sup>
Contrast ratio <sup>1)</sup>	1200 : 1
Operating system	Windows® 10 IoT

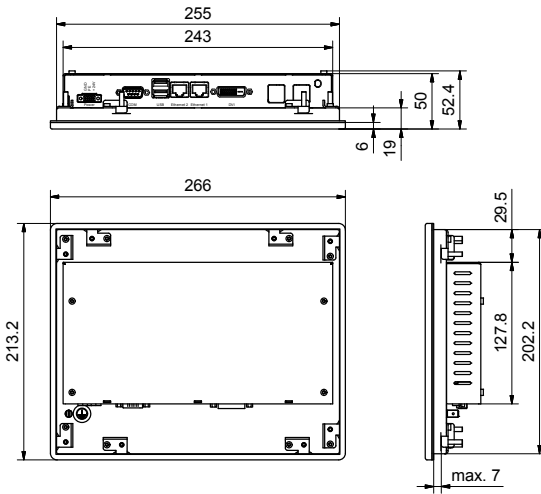
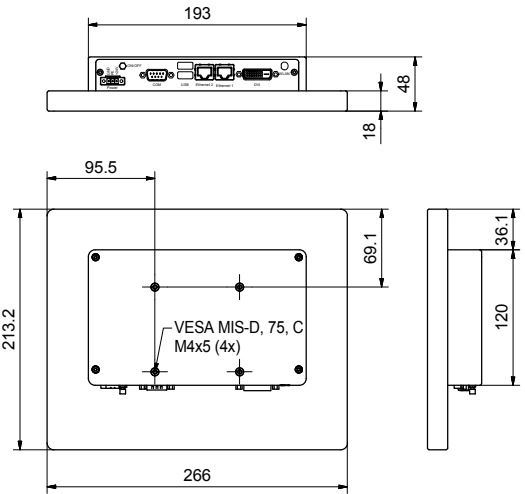
  

Electrical data		Mechanical data	
Operating voltage +U <sub>B</sub>	24V DC ± 20 %	Dimensions	266 x 213.2 x 52.4 mm
CPU	AMD® GX-415GA / Quad Core™ / 1.5 GHz 64 Bit / 2 MB Cache	Enclosure rating	IP 65
USB	2 x USB Host 3.0	Ambient temperature: operation	0 ... +50 °C
Ethernet	2 x 1 Gbit Ethernet	Ambient temperature: storage	-10 ... +70 °C
Communication	1 x RS232	Weight	1700 g
Video	1 x DVI-I		
Memory	4 GB DDR3L		
Storage	64 GB MLC		
BIOS	AMI BIOS, supports ACPI function		

<sup>1)</sup> The values are referring to the displays only

Part number	Article number	Description
PV-AW10IoT10.4TX	533-01031	Panel PC 10.4", Win10 IoT, XGA, Touch, front panel mount
PV-AW10IoT10.4TX-V	533-01032	Panel PC 10.4", Win10 IoT, XGA, VESA mount

Accessories	
Connection cable (Ethernet cable)	From Page A-46

Dimensional drawing PV-AW10loT10.4TX	Dimensional drawing PV-AW10loT10.4TX-V
 <p>153-13536</p>	 <p>153-13539</p>