


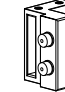

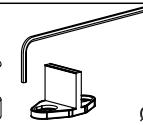



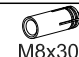
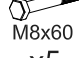
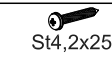
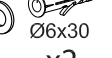

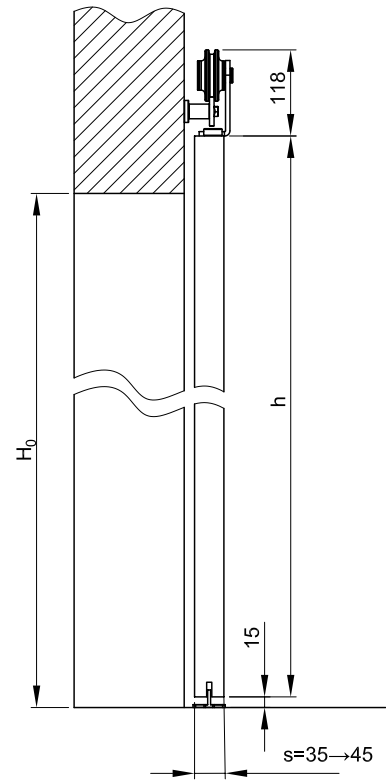
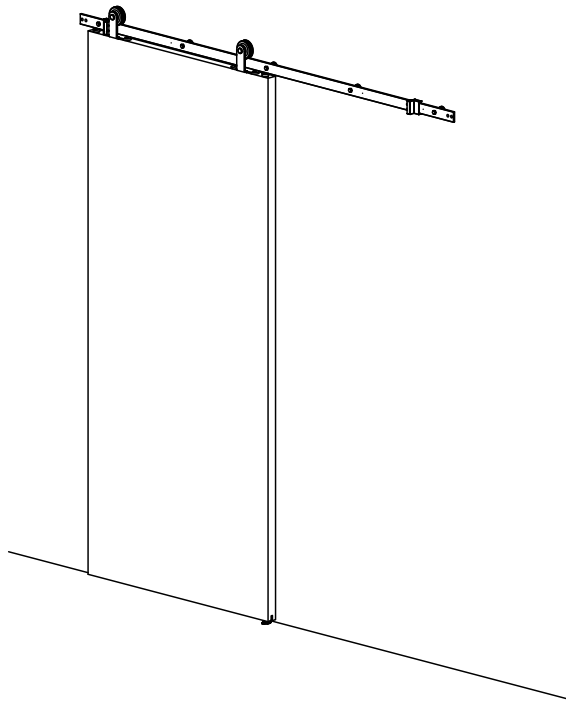
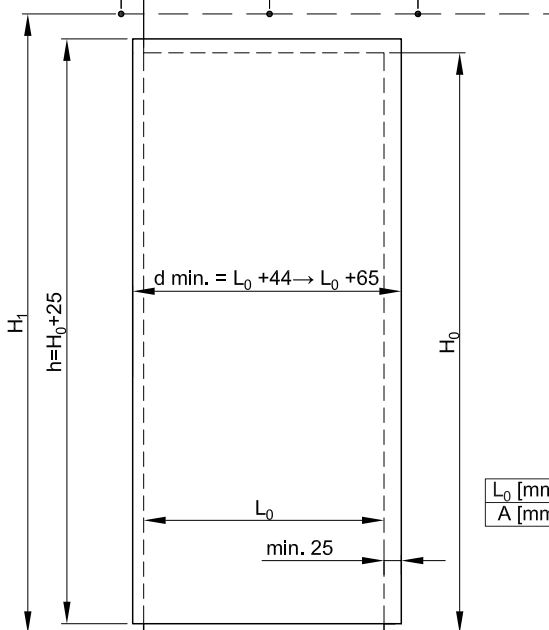
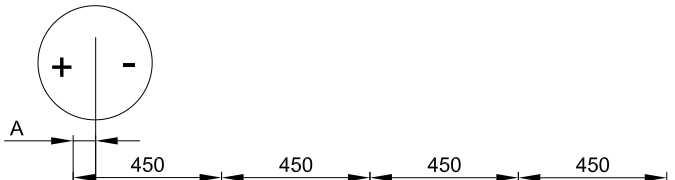




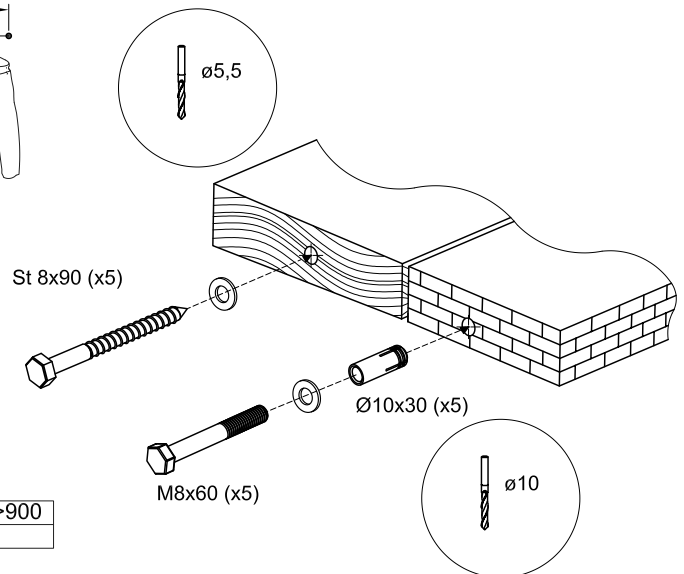
-  x1
-  x2
-  x5
-  x2
-  x2
-  x1
-  Ø6 x4
-  St 6,3x40 x4
-  St8x90 x5
-  M8x30 x5
-  M8x60 x5
-  St4,2x25 x2
-  Ø6x30 x2
-  100 KG



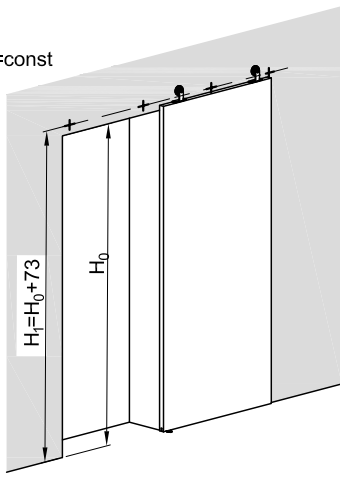
1



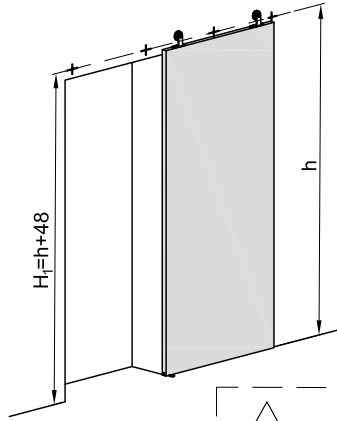
L_0 [mm]	≥ 900	$800 \leq L_0 < 900$
A [mm]	-25	+40



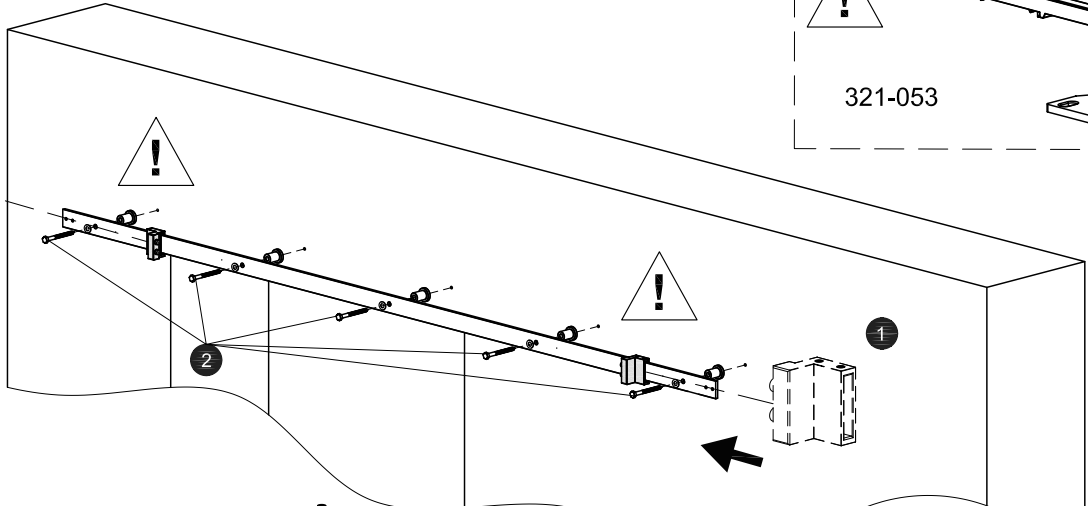
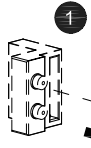
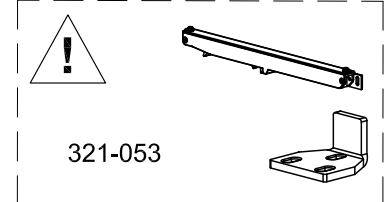
1°H₀ = const



2°h = const

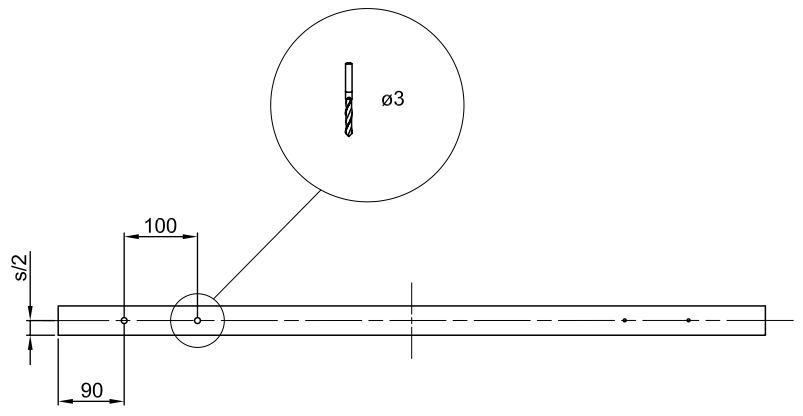
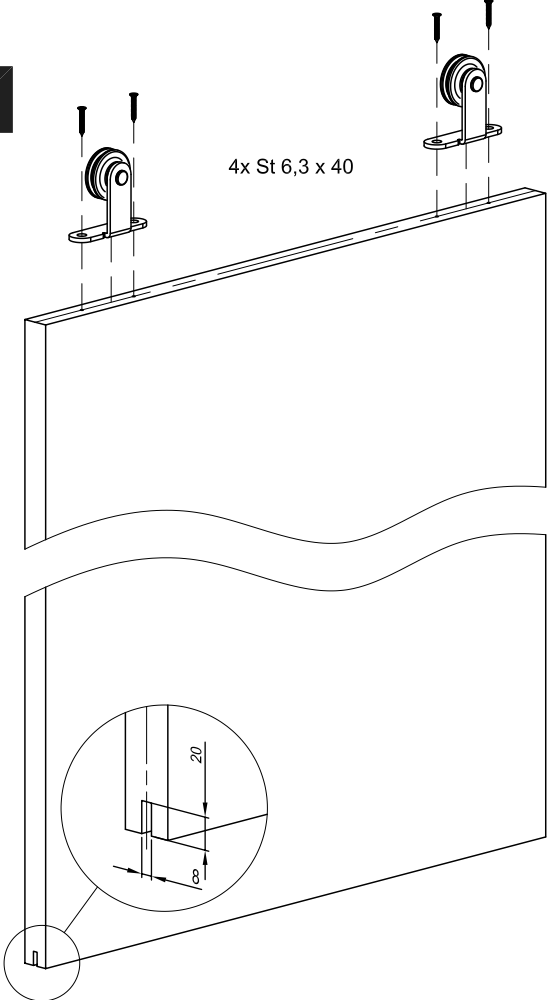


2

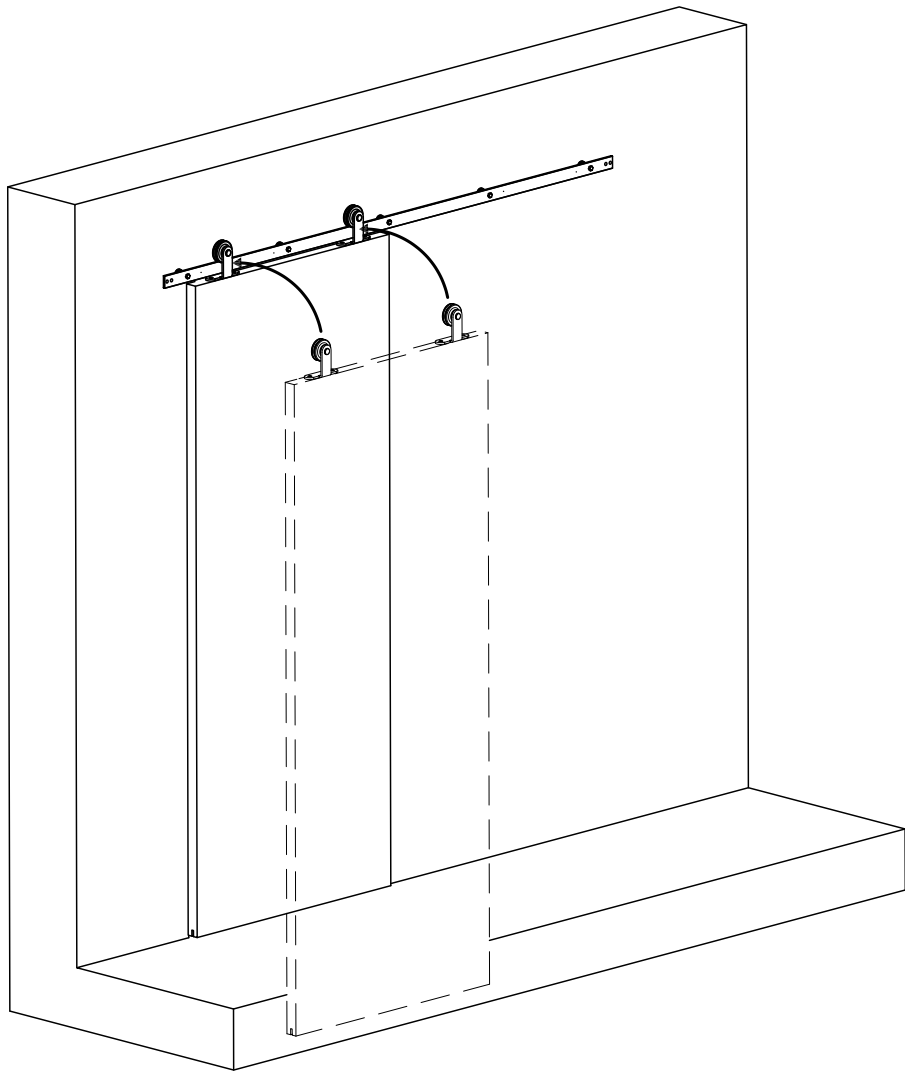


3

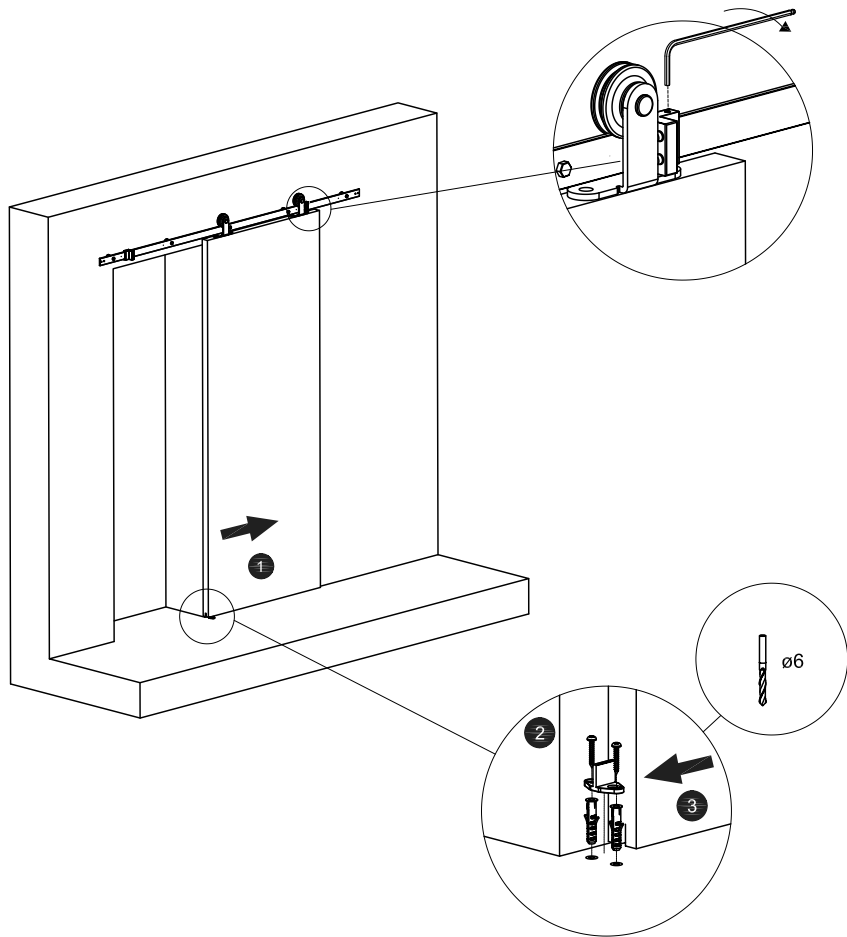
4x St 6,3 x 40



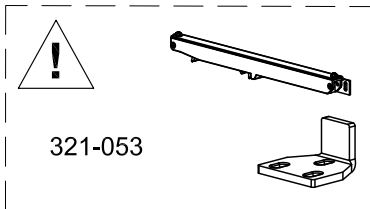
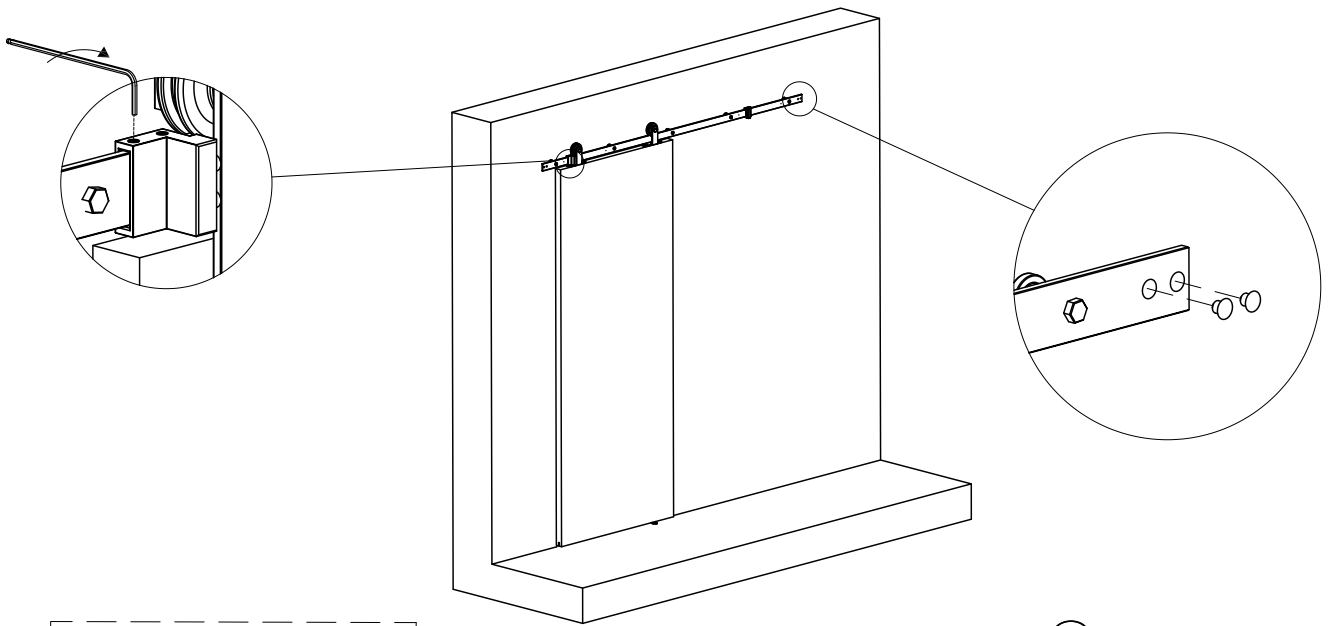
4



5



6



7

