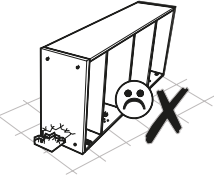
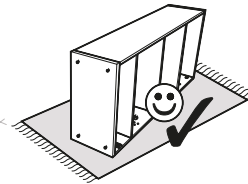
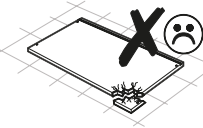
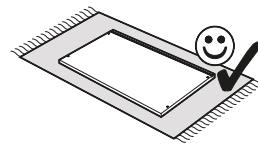
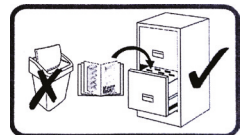
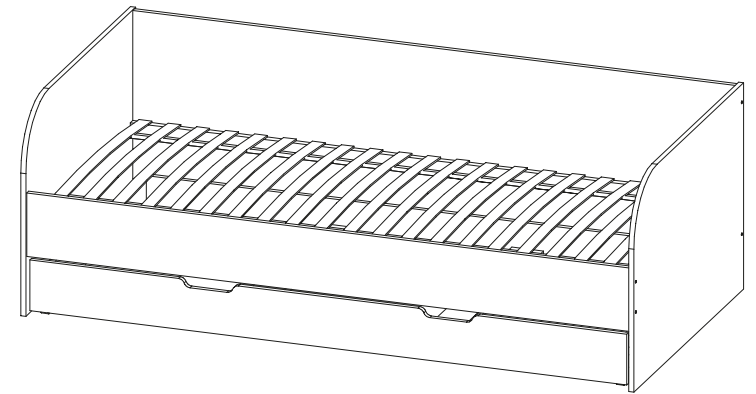
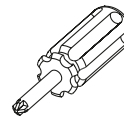
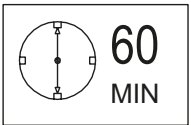
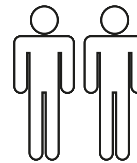





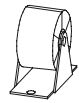
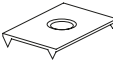
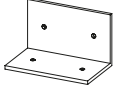
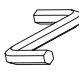


SOFIA

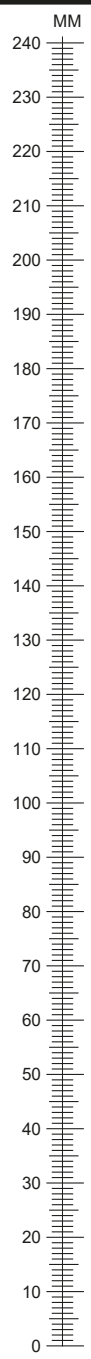
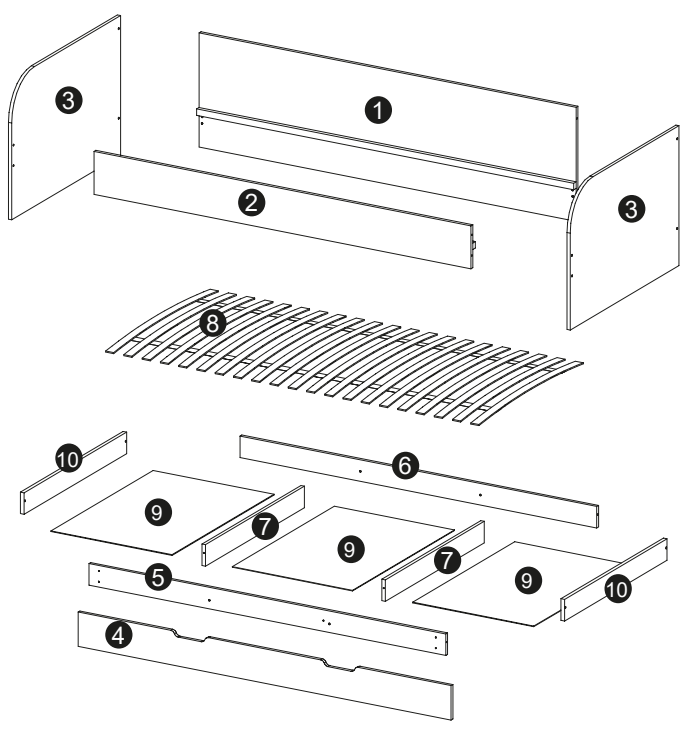


SOFIA


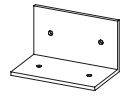
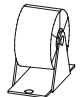
| | | |
|---|---|---|
| B1  x16 | B03  x16 | D0  3,0x15 x40 |
| D1  3,5x16 x48 | D2  3,5x30 x12 | R1  x8 |
| K1  x8 | K1  x4 | Z  x1 |

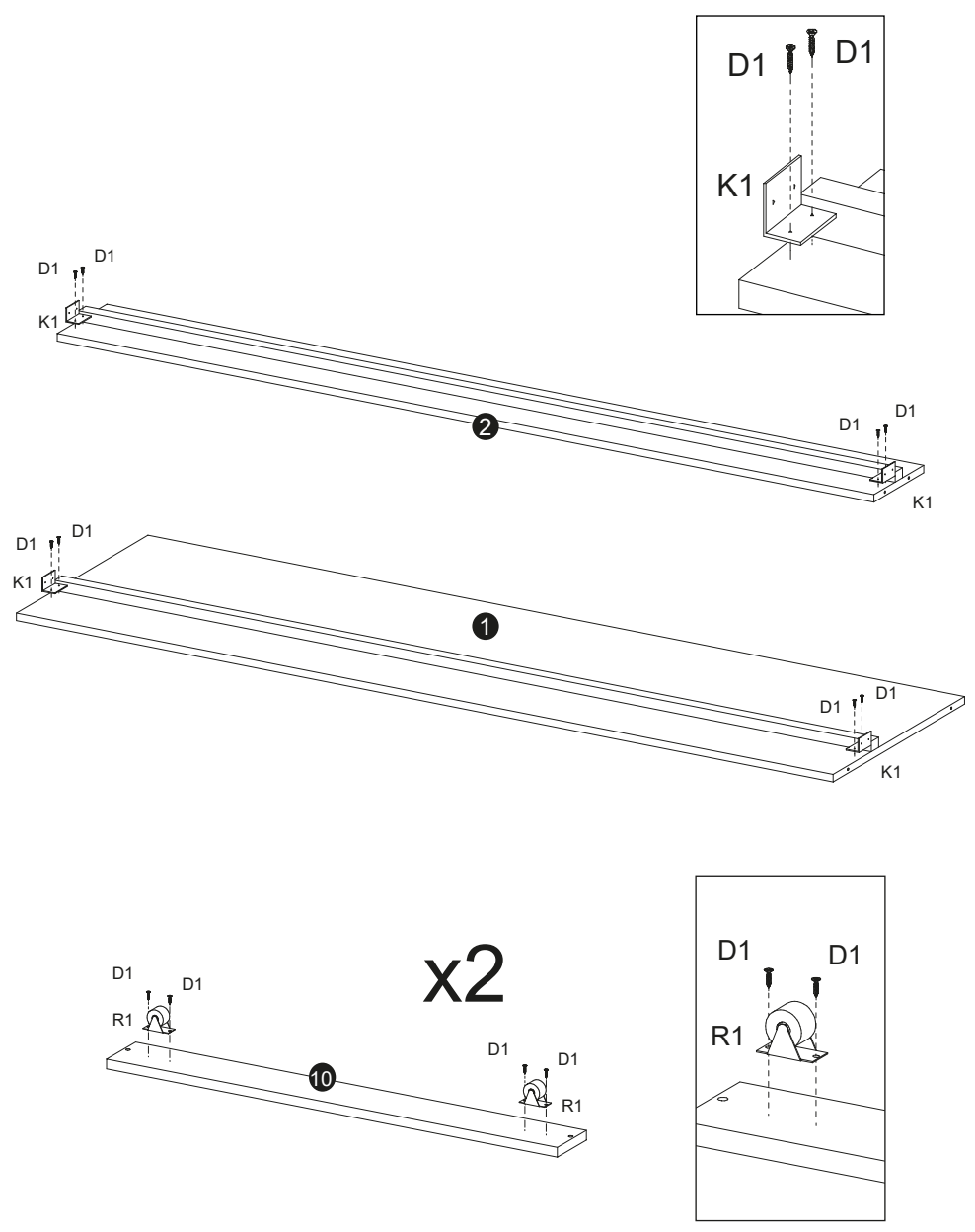
| | | |
|----------|---------------|---|
| 1 | 1900 x 530 | 1 |
| 2 | 1900 x 200 | 1 |
| 3 | 850-950 x 650 | 2 |
| 4 | 1890 x 160 | 1 |
| 5 | 1798 x 100 | 1 |

| | | |
|-----------|----------------|---|
| 6 | 1798 x 100 | 1 |
| 7 | 763-863 x 100 | 2 |
| 8 | 1900 x 800-900 | 1 |
| 9 | 790-890 x 610 | 1 |
| 10 | 795-895 x 100 | 3 |

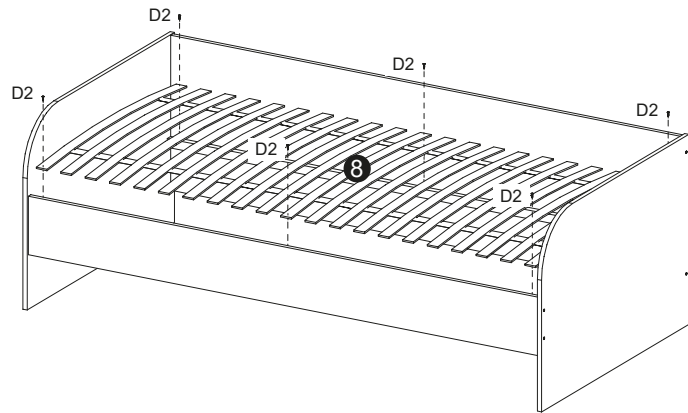
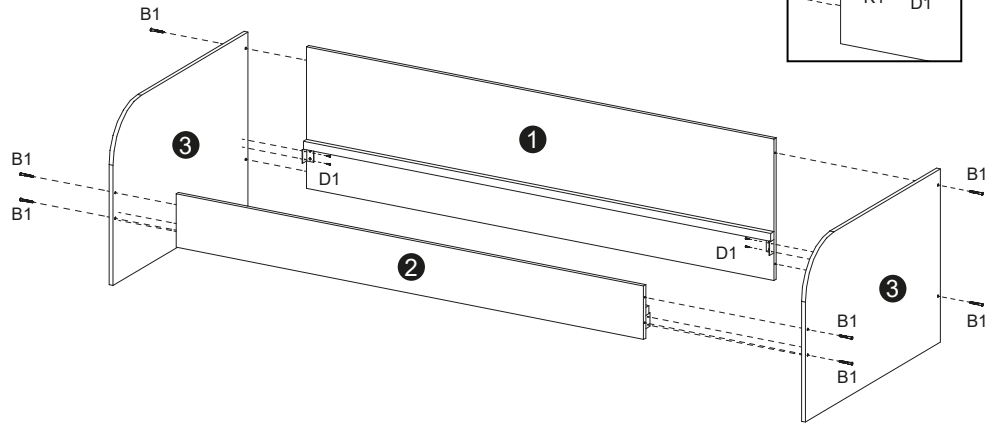
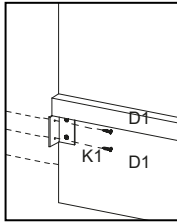
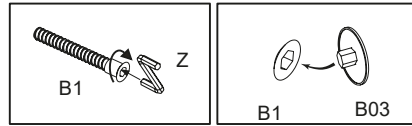
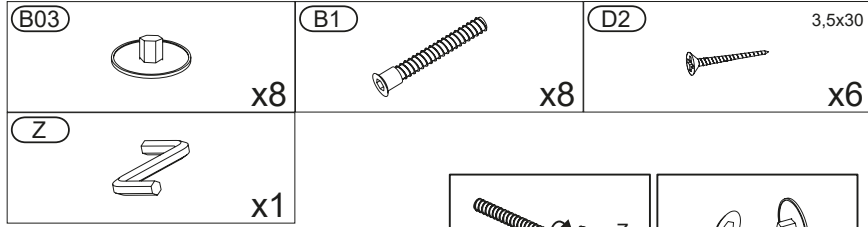


1

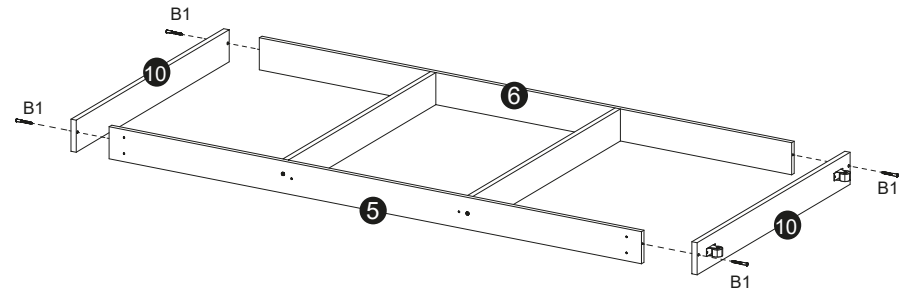
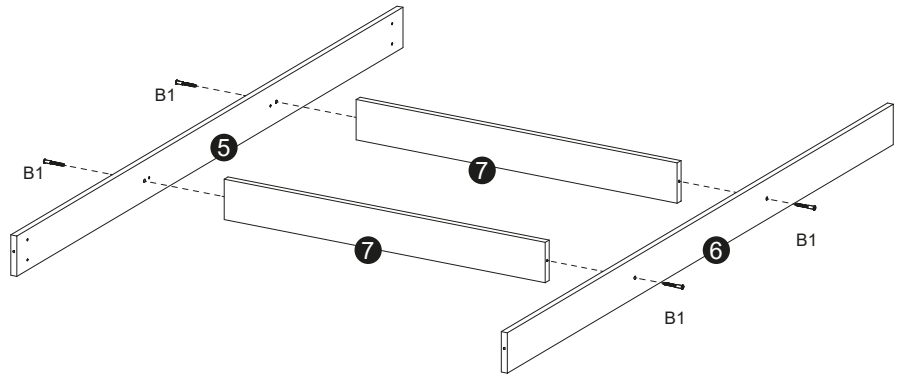
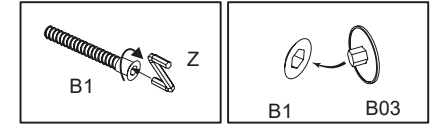
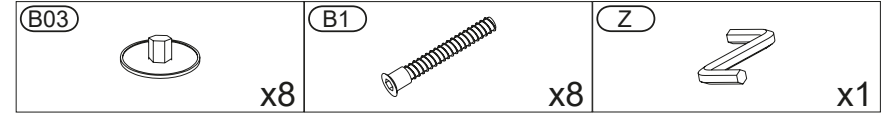
| | | |
|---|---|---|
| D1  3,5x16 x16 | K1  x4 | R1  x4 |
|---|---|---|



2



3

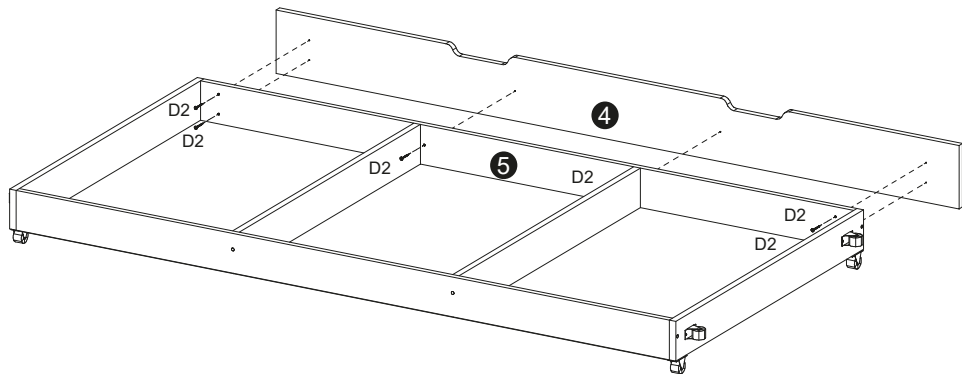
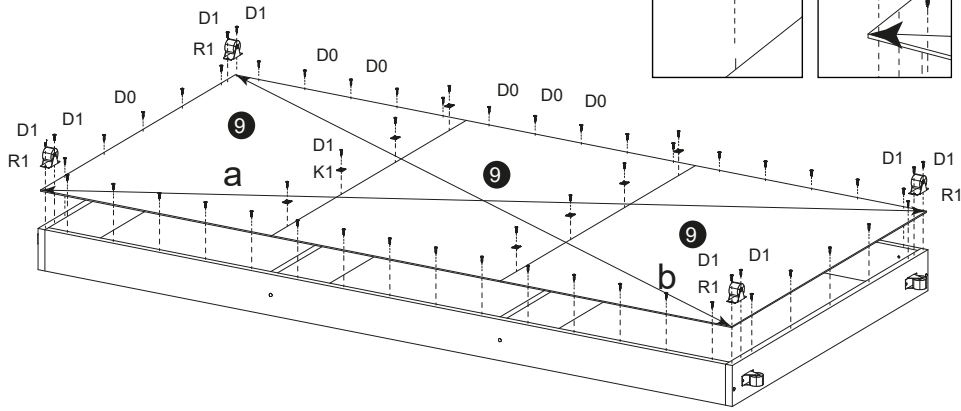
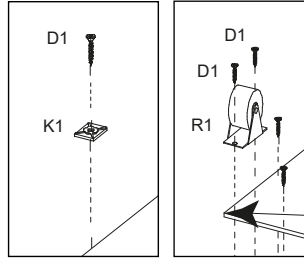


4

| | | |
|--------------------|--------------------|-------------------|
| (D0) 3,0x15 x40 | (D1) 3,5x16 x16 | (D2) 3,5x30 x6 |
| (R1) x4 | (K1) x8 | |

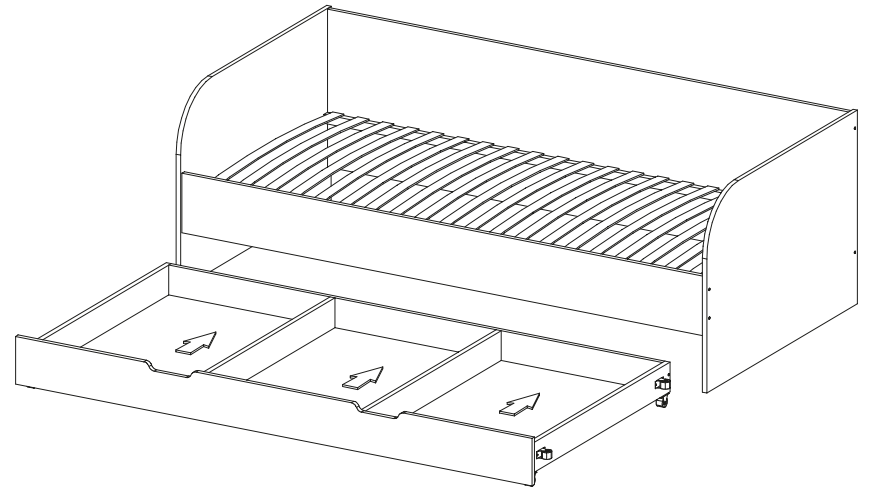


a=b



6

5



7