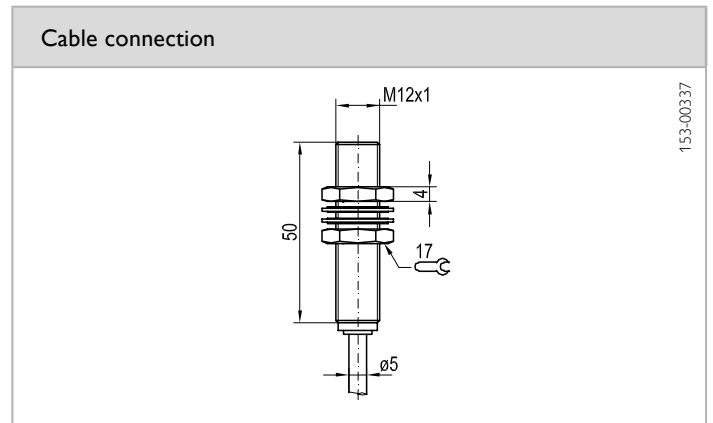


IS 512-02 AI

Inductive sensor with analogue output

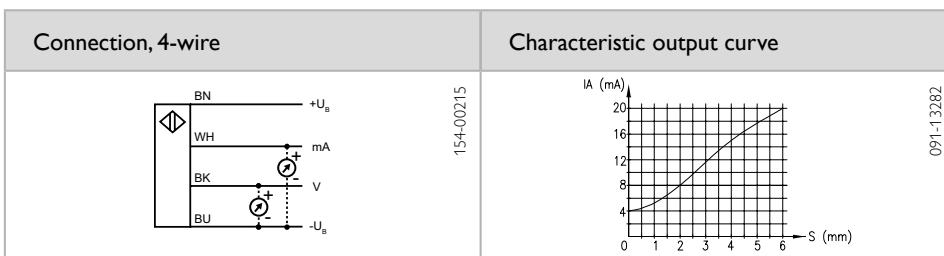


Sensor data	
Switching distance	0 ... 6 mm
Repeatability	≤ 0.3 mm

Electrical data	
Operating voltage, +U _B	15 ... 30V DC ¹
No-load current, I ₀	≤ 10 mA
Min. load resistance	0 Ω
Max. load resistance	200 Ω
Protective circuits	Short-circuit protection (Q) / overload protection
Analogue output	0 ... 10V / 4 ... 20 mA

Mechanical data	
Dimensions	M12 × 50 mm
Enclosure rating	IP 67 ²
Mounting	Quasi-flush
Material, housing	Brass, chrome-plated
Type of connection	See Selection Table
Ambient temperature: operation	-10 ... +60 °C

¹ Max. 10 % ripple, within U_B ²With connected IP 67 plug



12

Switching distance	Analogue output	Type of connection	Part number	Article number
6 mm	0 ... 10V / 4 ... 20 mA	Cable, 4-wire	IS 512-02 AI	996-51479