



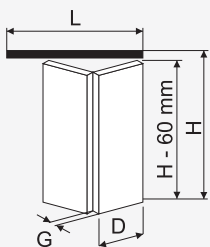
# HERKULES PLUS

Instrukcja montażu  
Installation instruction  
Инструкция монтажа

## 2(4)x40kg



tel. 22 818 77 22



$D \leq 750\text{mm}$   $G = 16 - 40\text{mm}$



G [mm]	16	18	22	25	28	32	40
x	2	2	3	3	4	4	6

2 A

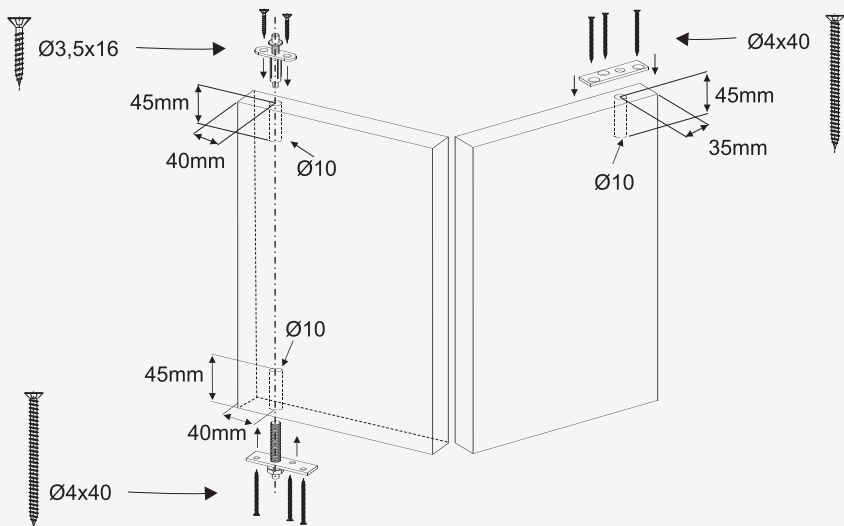


$$D[\text{mm}] = \frac{L[\text{mm}] - x - 5}{2}$$

2 B



$$D[\text{mm}] = \frac{L[\text{mm}] - 2x - 8}{4}$$



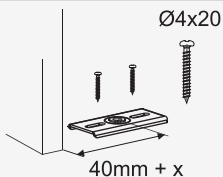
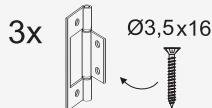
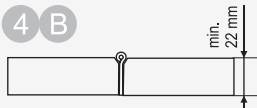
3



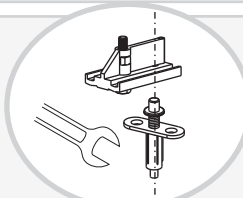
4 A



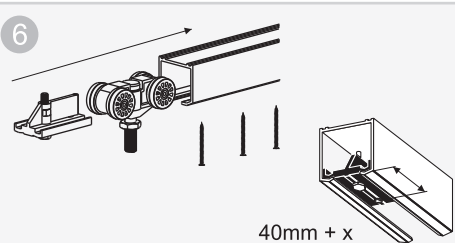
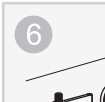
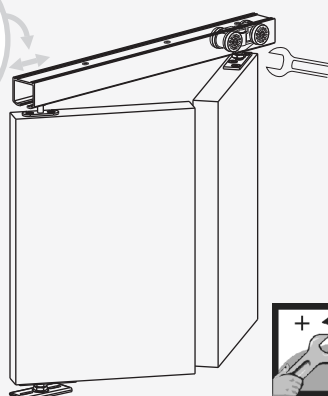
4 B



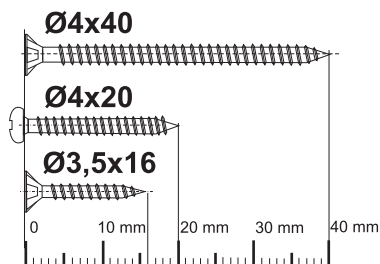
5



7



6



1:1