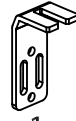


x1



x2



x1



x1



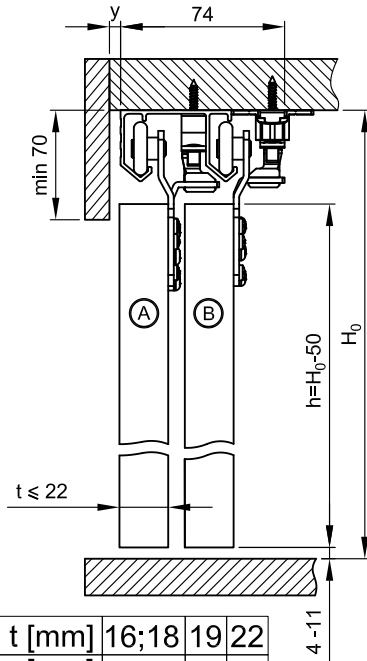
x2



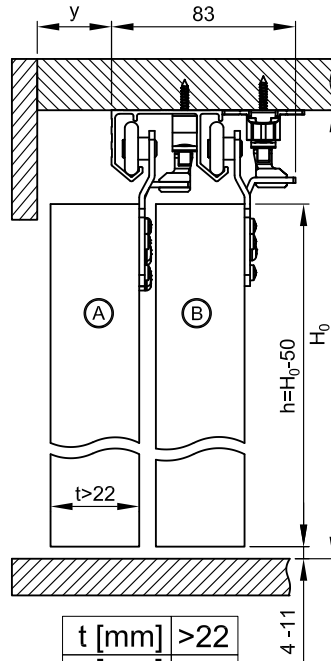
x4



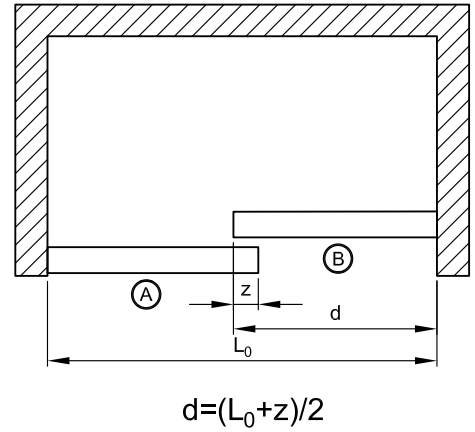
x1



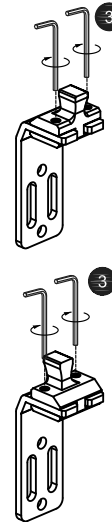
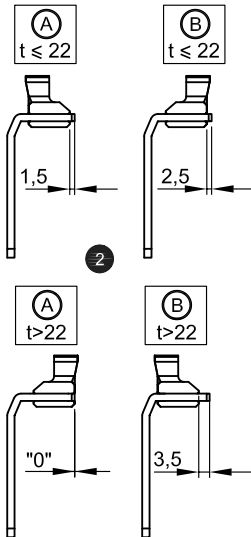
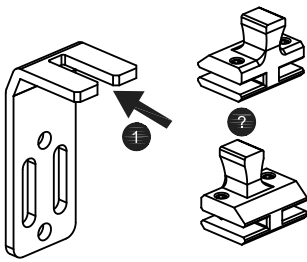
t [mm]	16;18	19	22
y [mm]	0	1	4



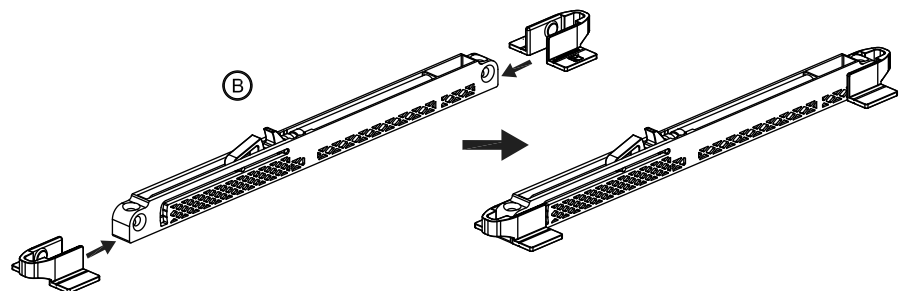
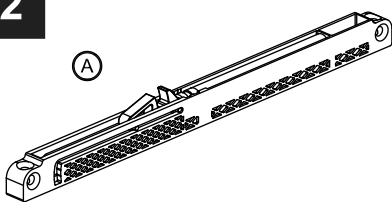
t [mm]	>22
y [mm]	t-9

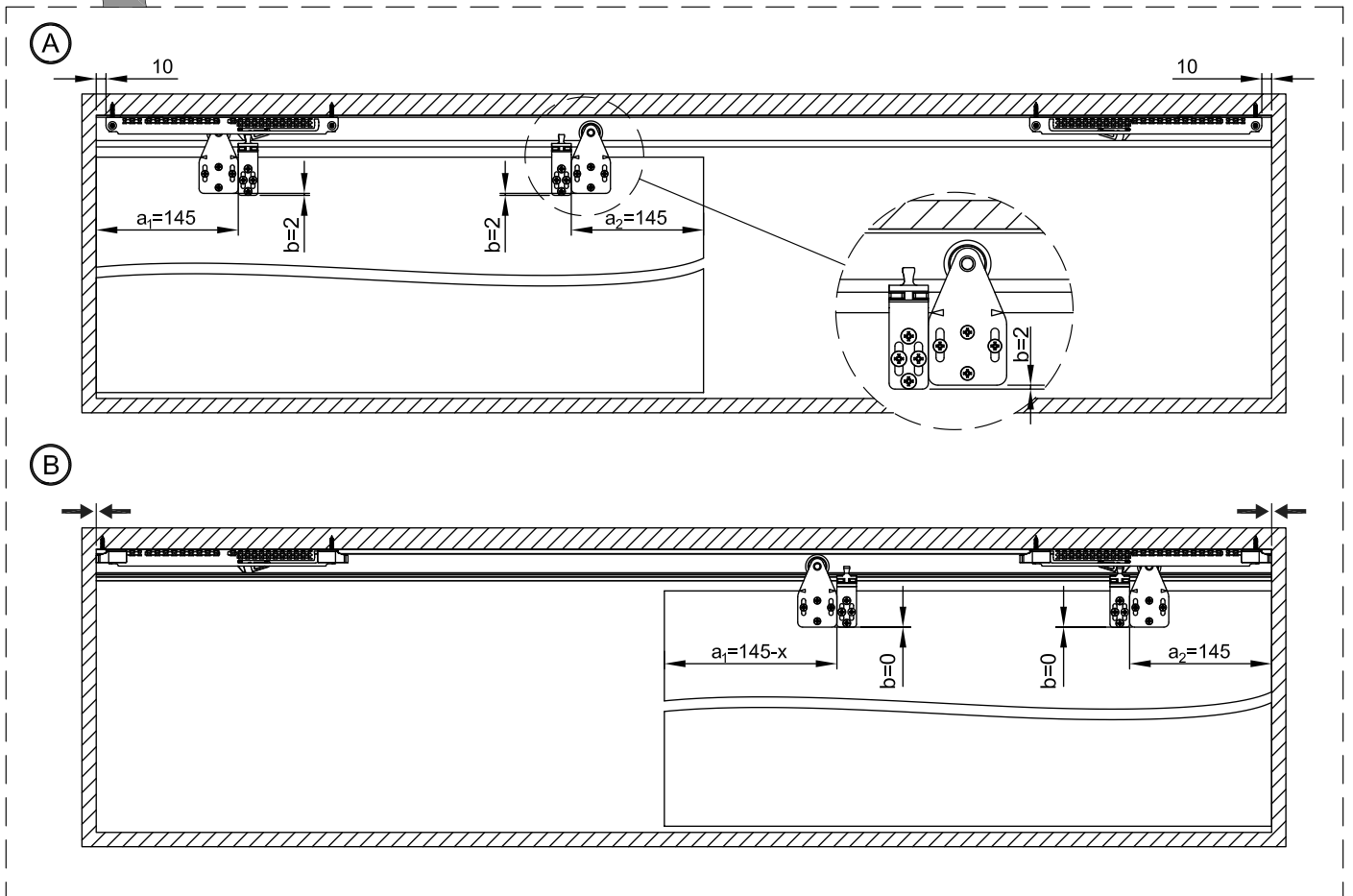
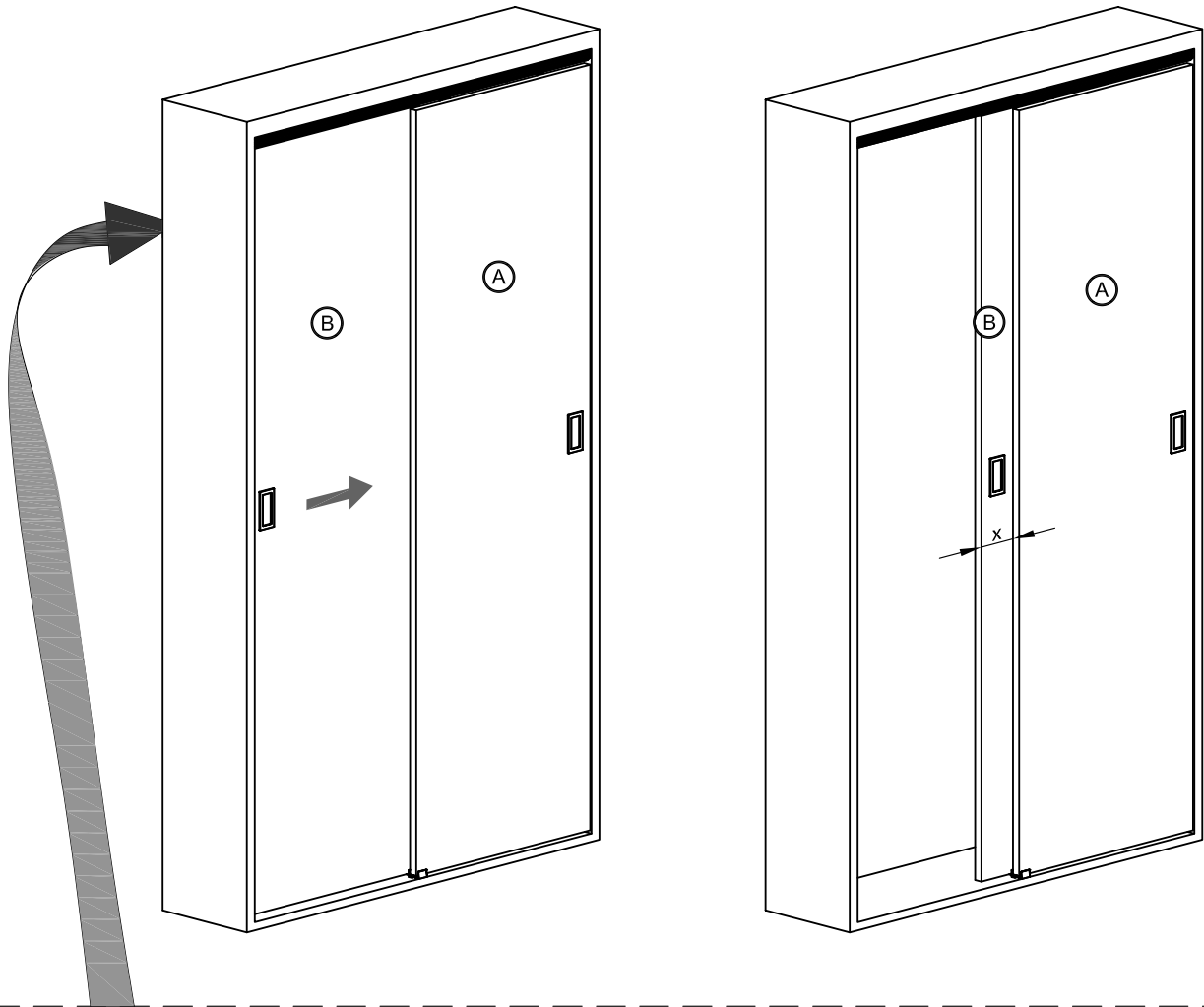


1

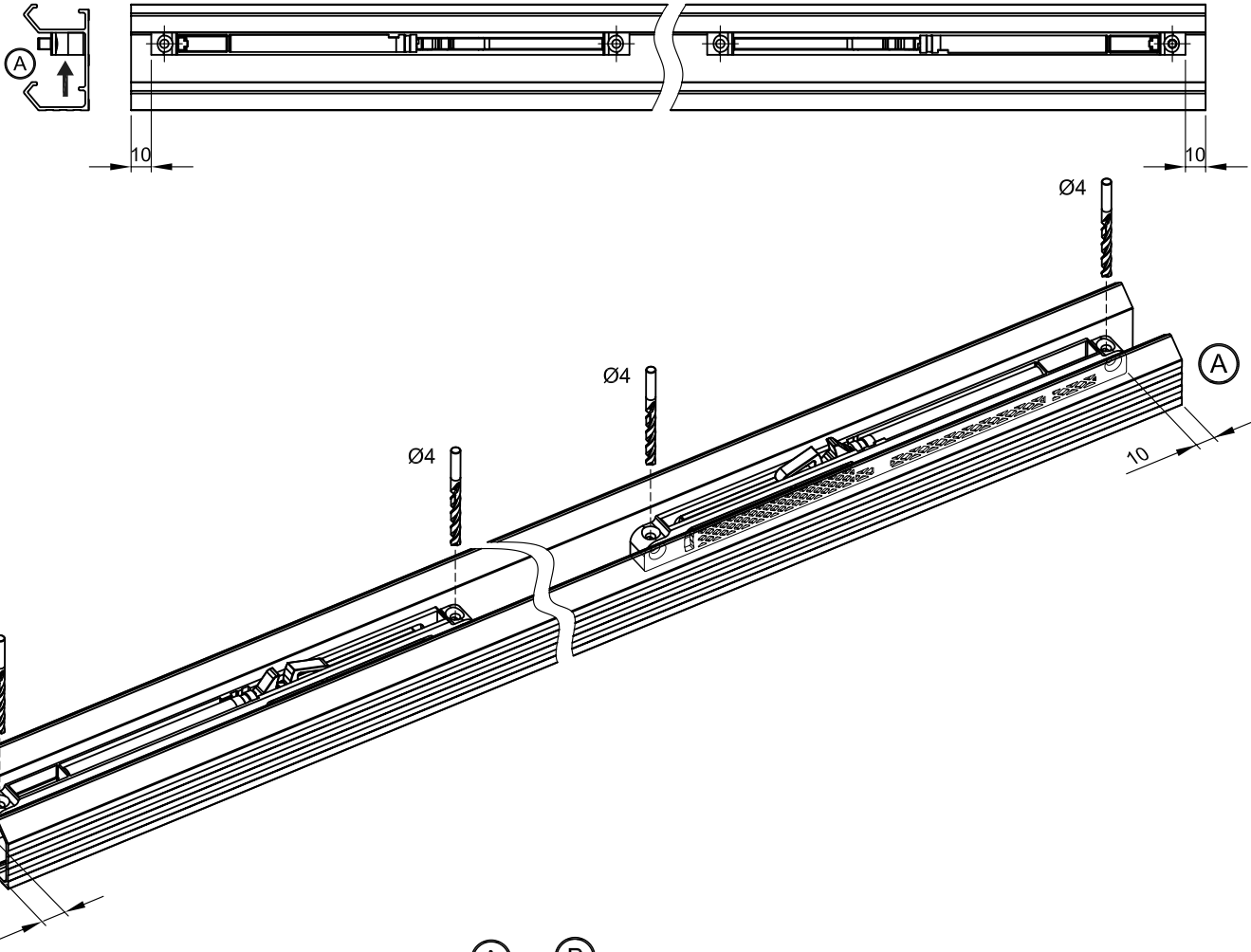


2

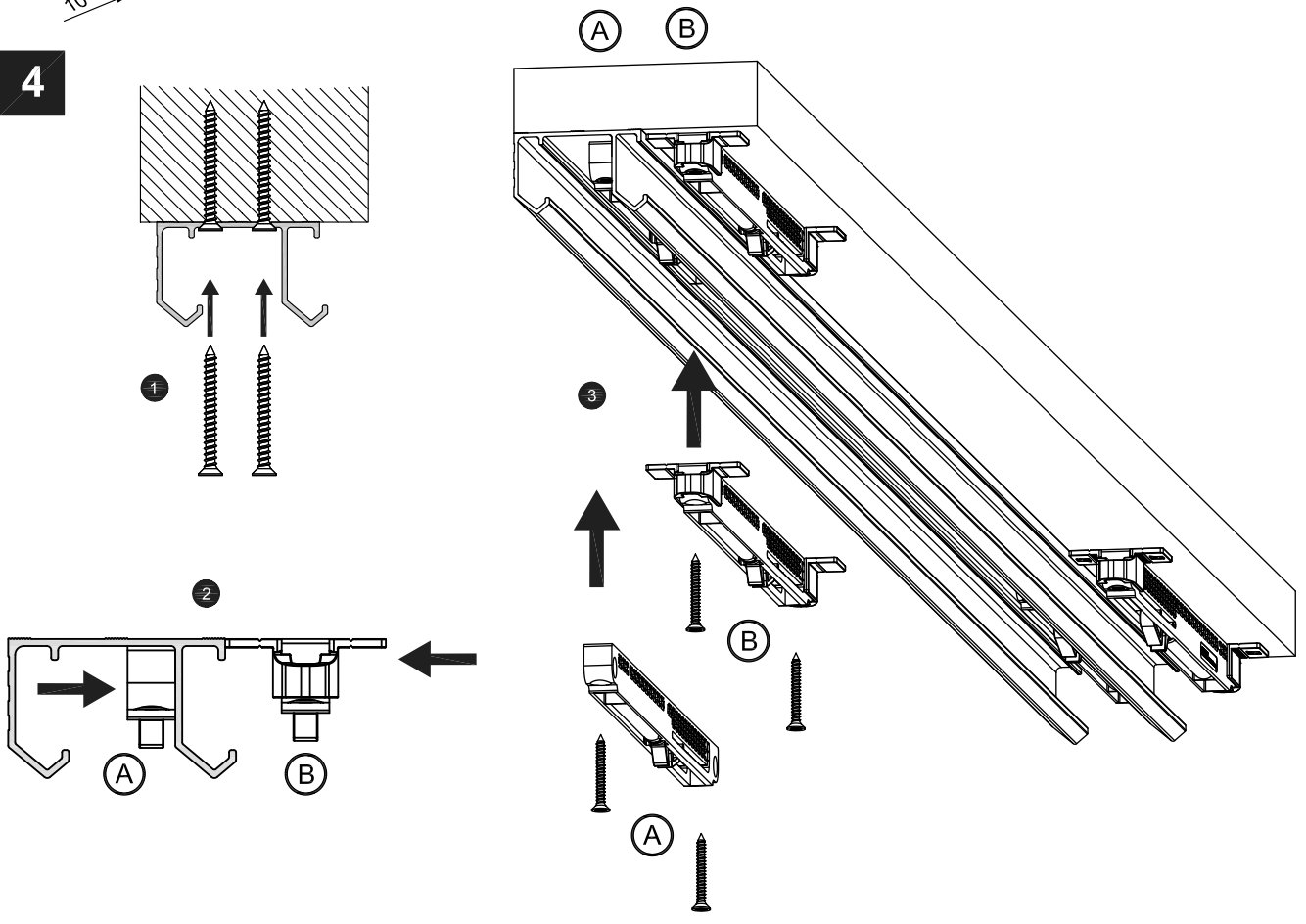




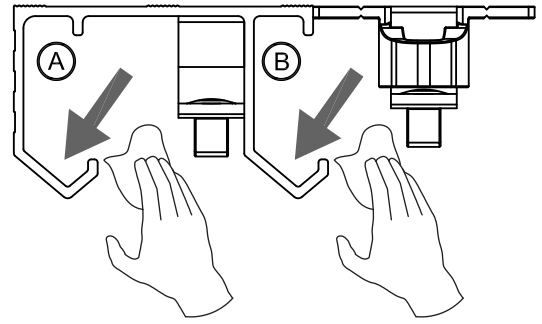
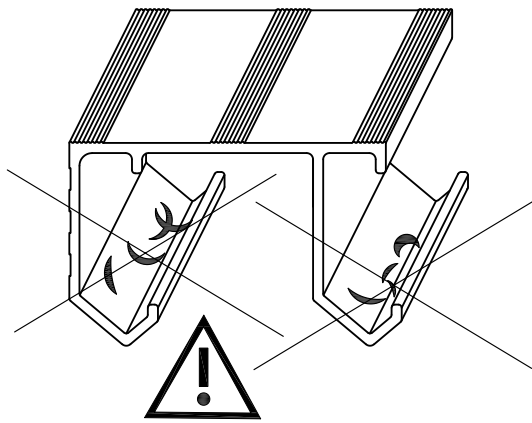
3



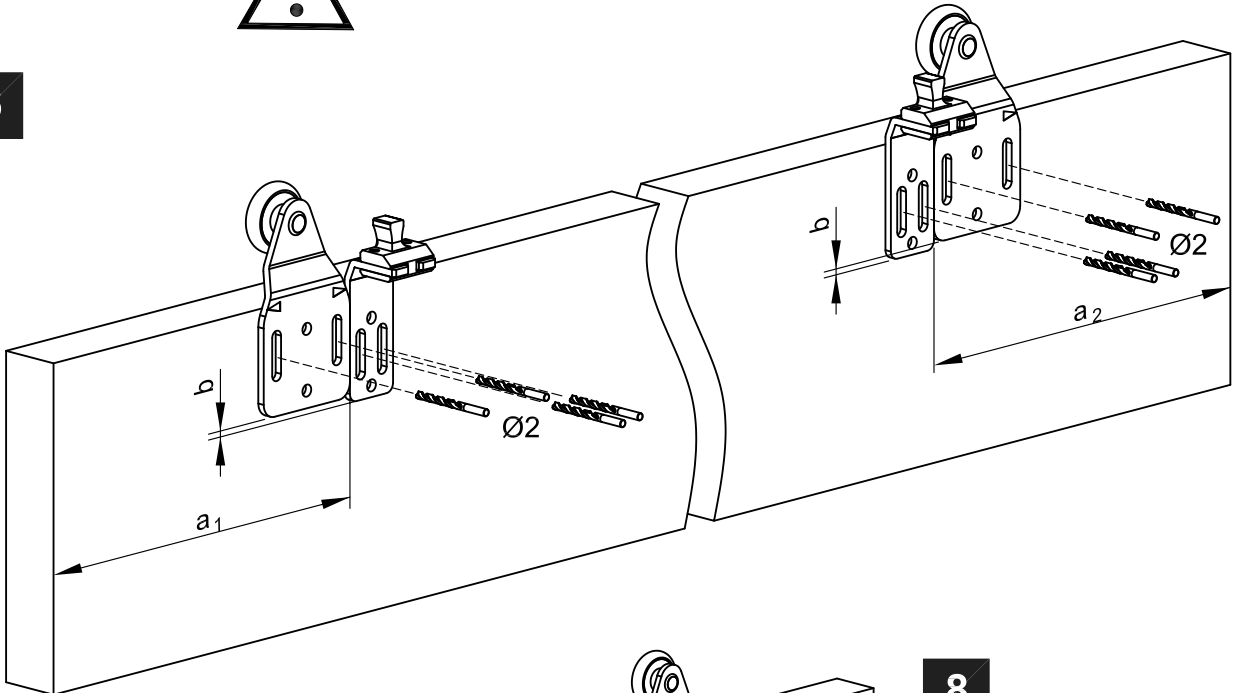
4



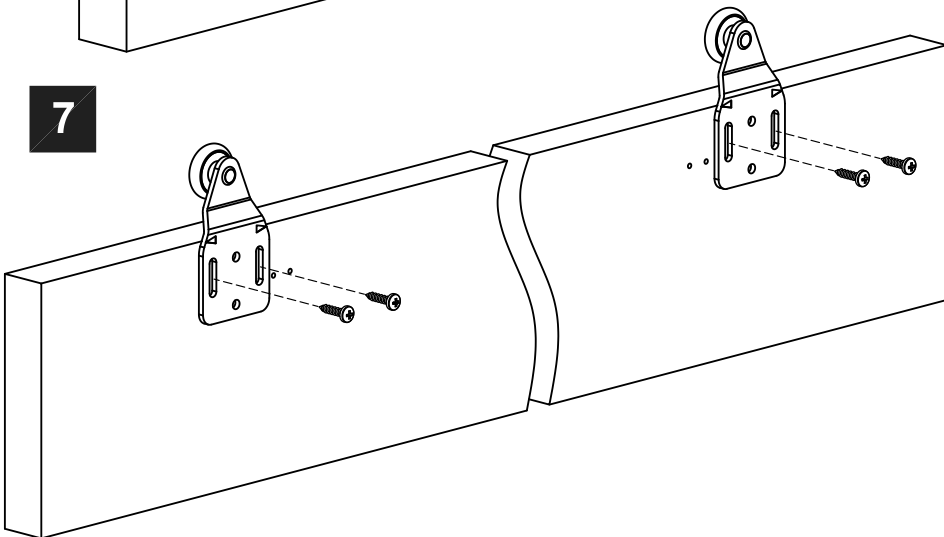
5



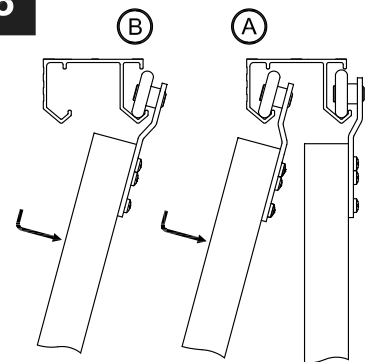
6



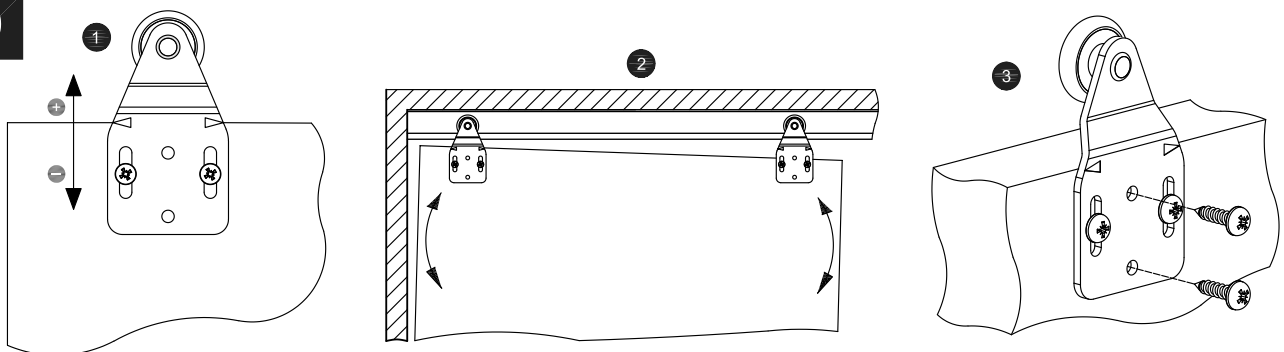
7



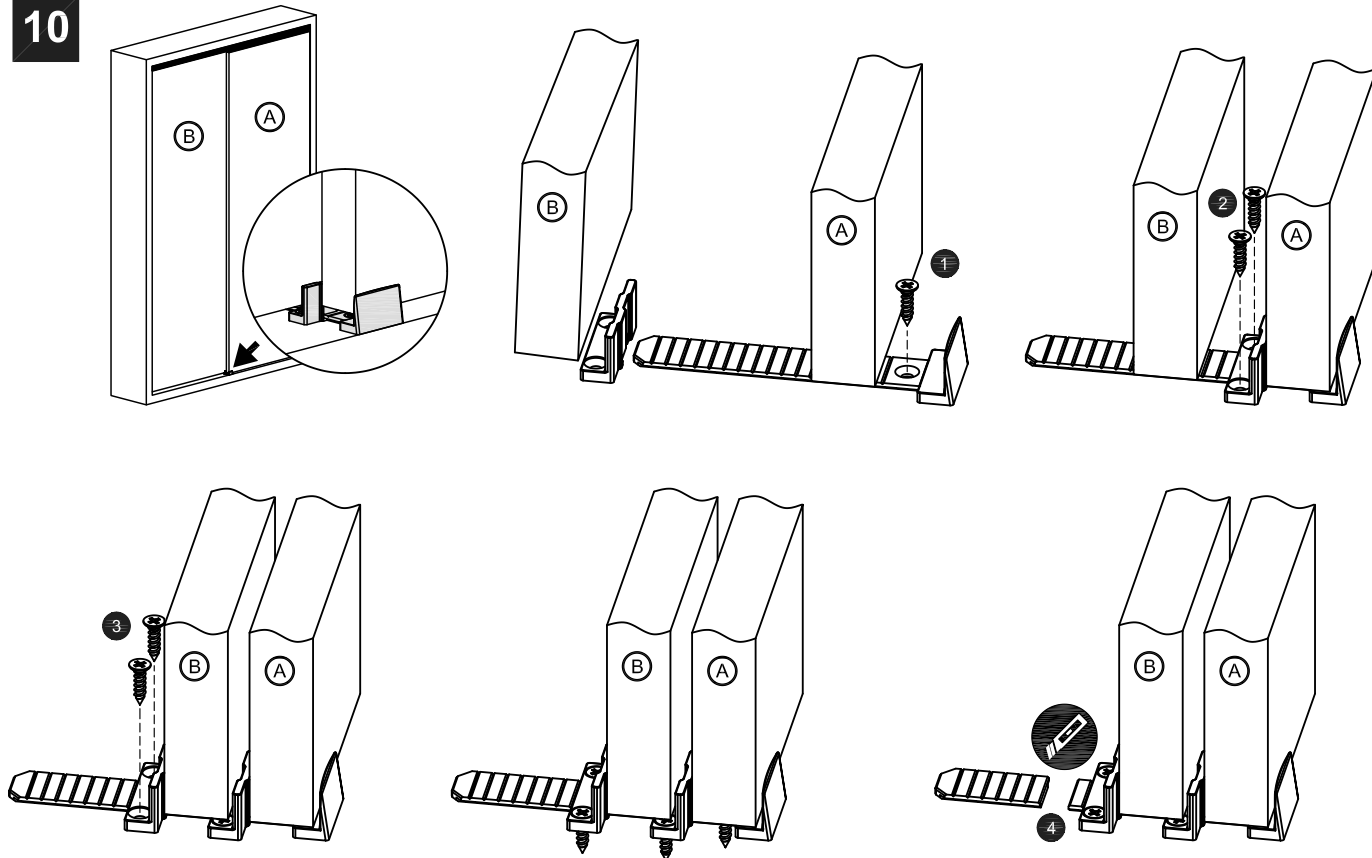
8



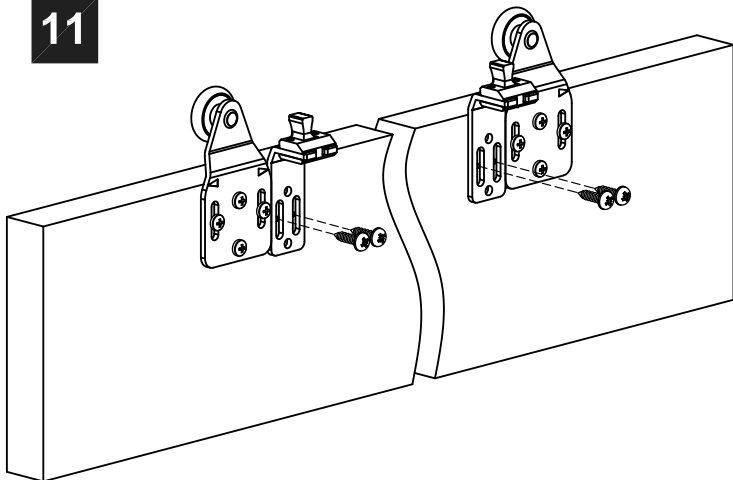
9



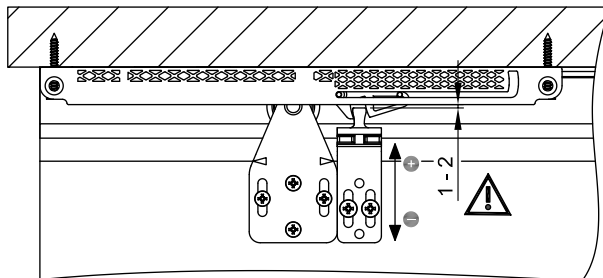
10



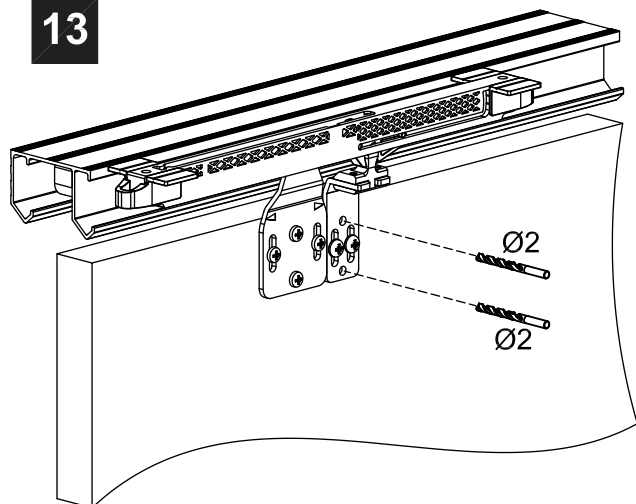
11



12



13



14

