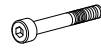


x1



x1



M4x30
x2



M4
x2



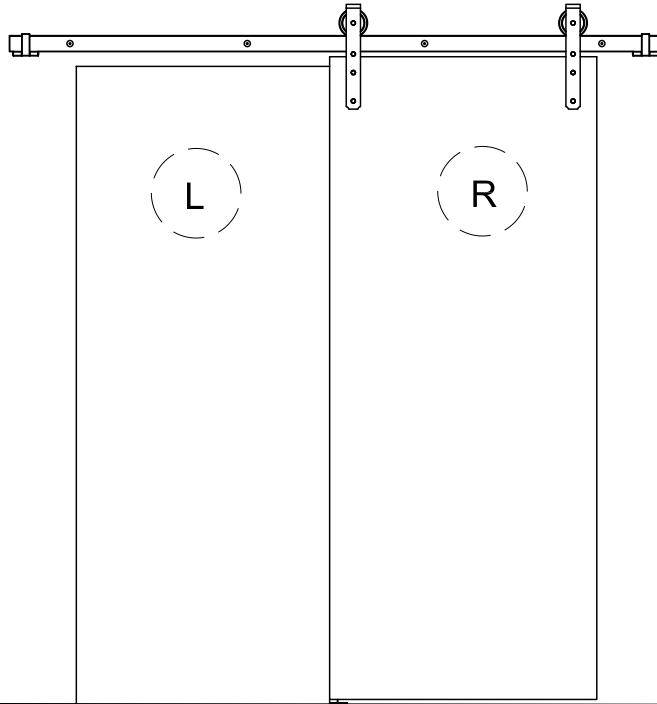
Ø4
x2



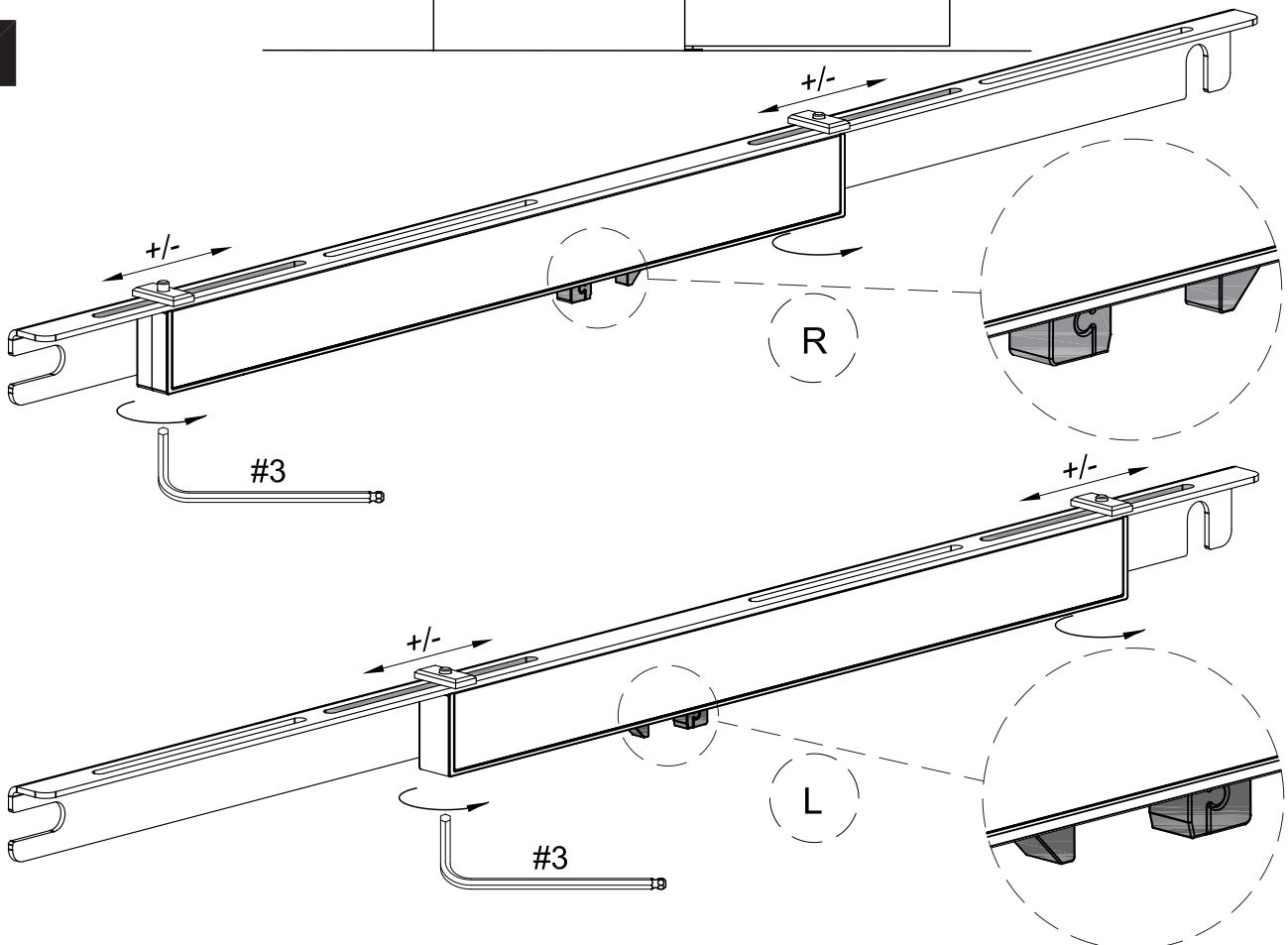
x1



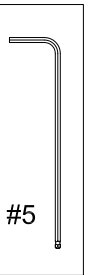
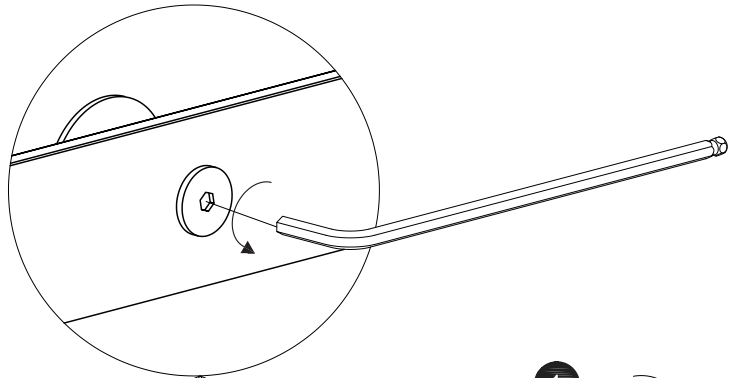
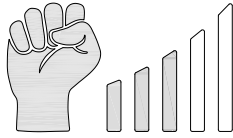
St 3,2x25
x3



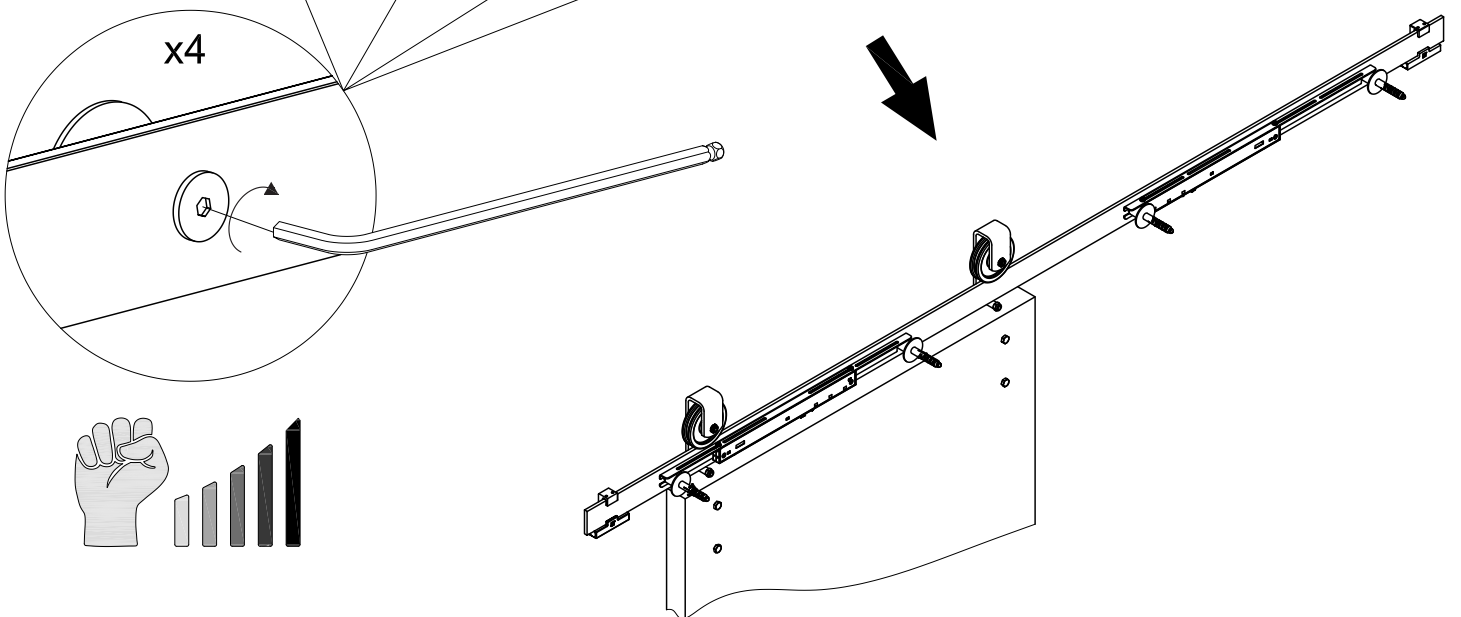
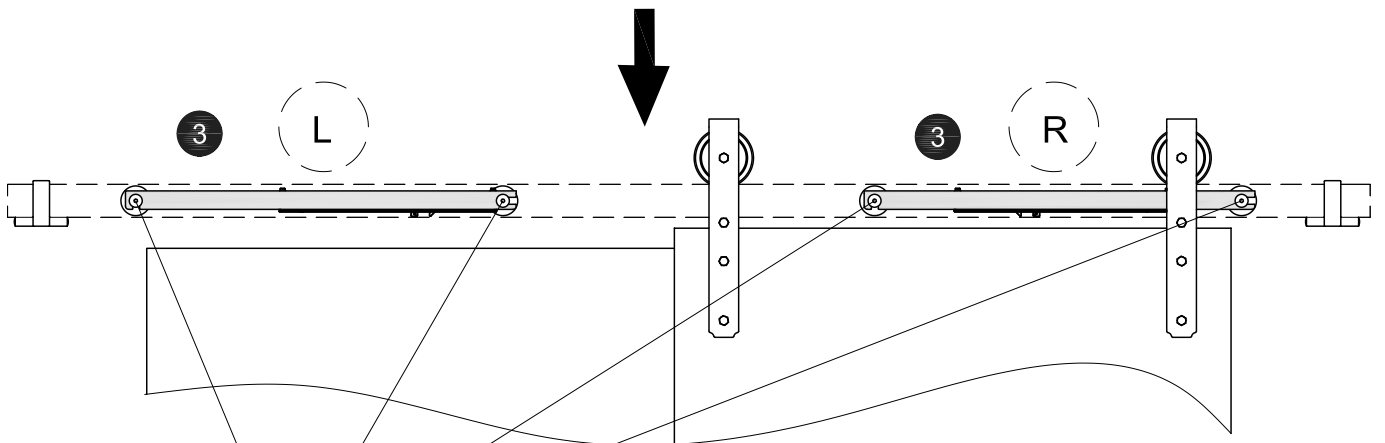
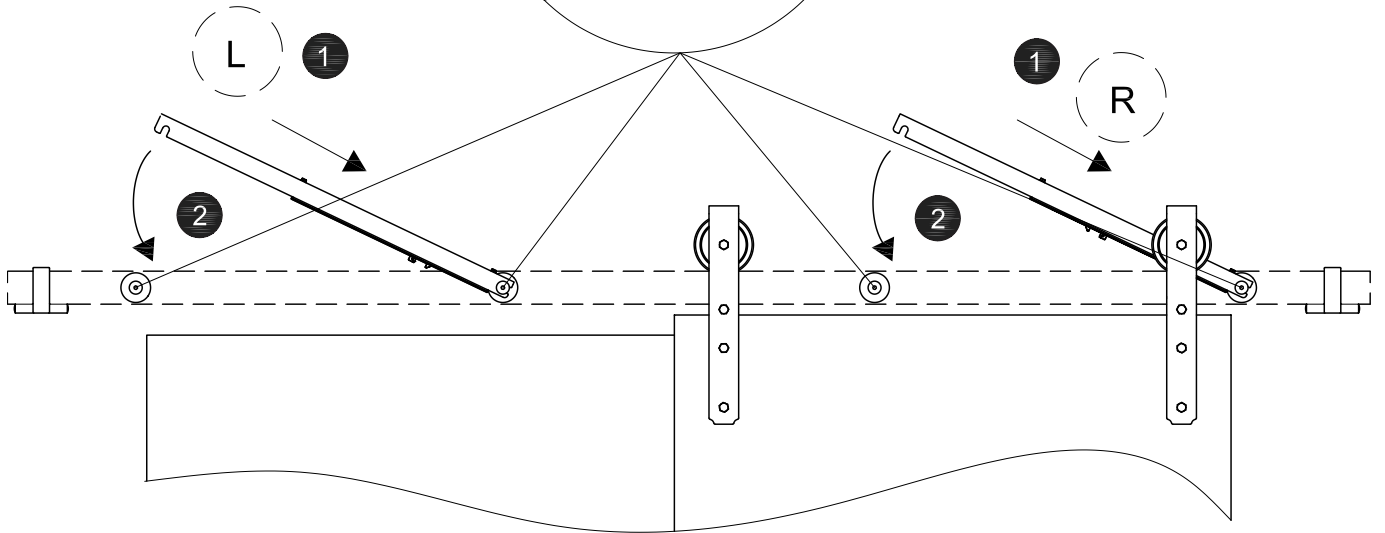
1



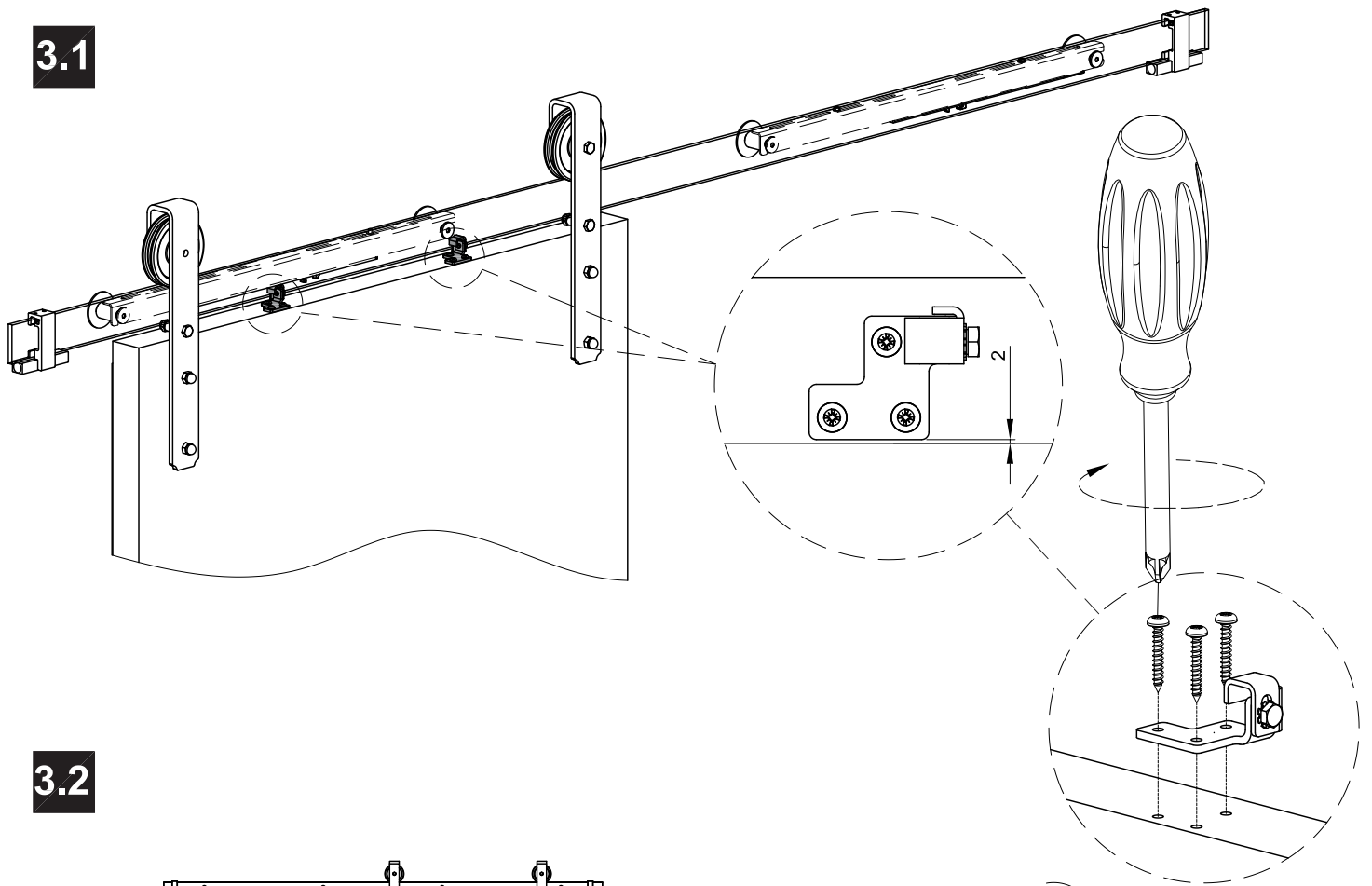
2



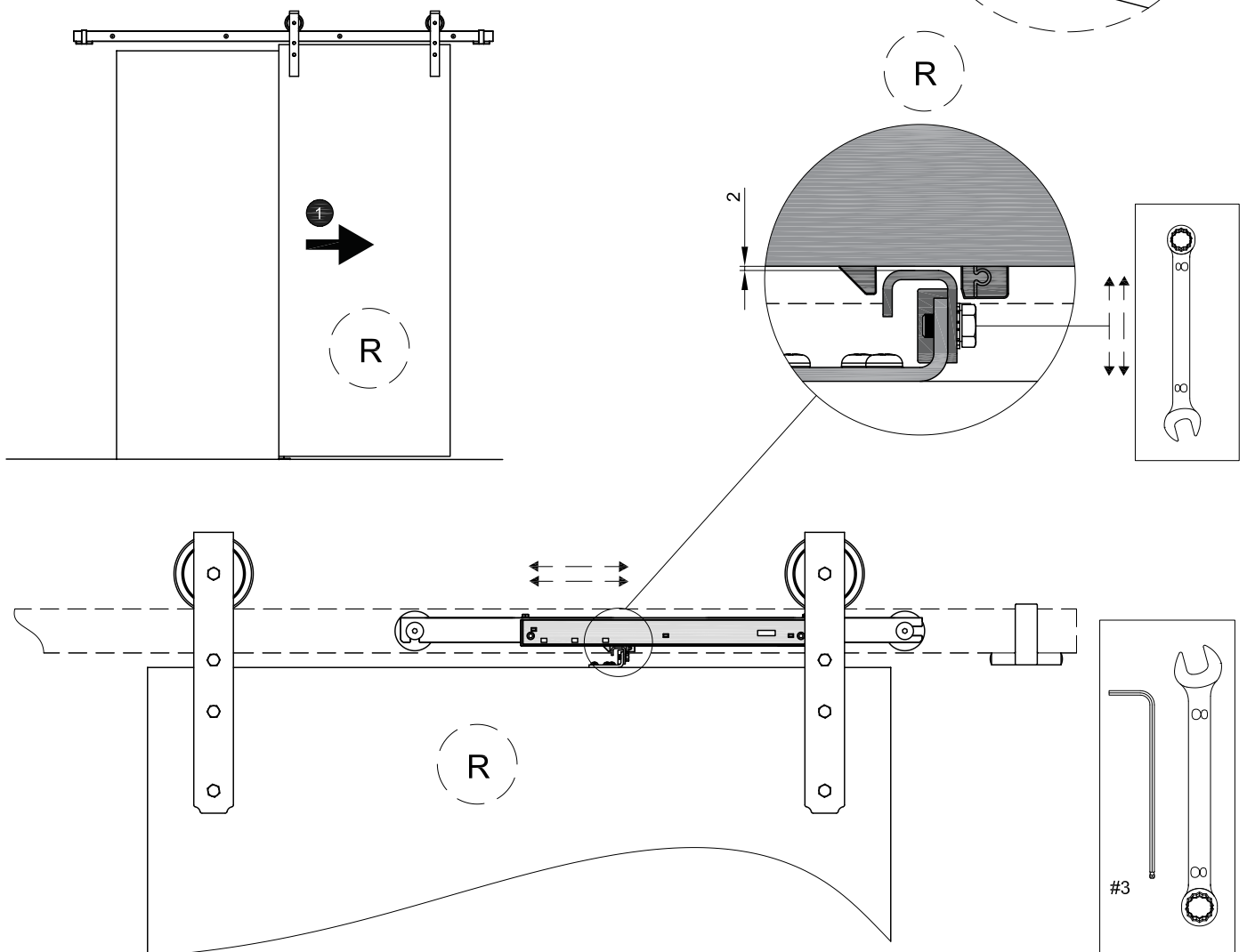
#5



3.1



3.2



3.3

