
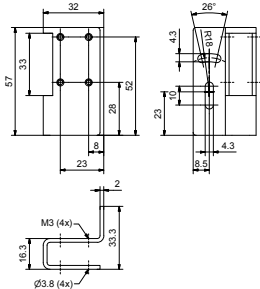

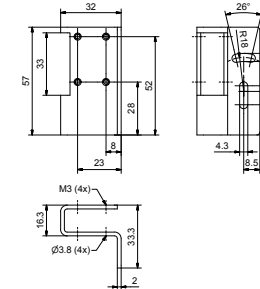

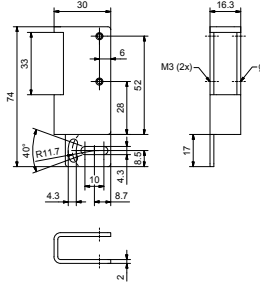

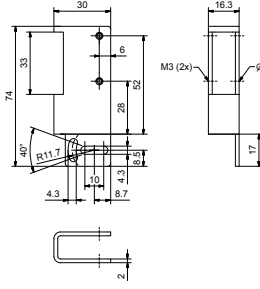

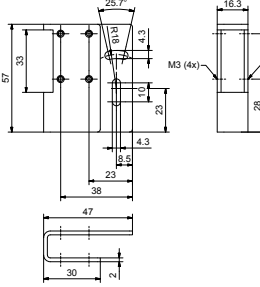

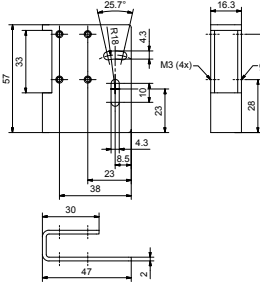






# Accessories

## Brackets

Brackets for F 25, FL 20, UT 20 (Cont.)			
		<p>153-00908</p> <p>Part number / Article number</p> <p>Description</p> <p>Suitable for</p>	<p>MSP F 20-23 / 558-41011</p> <p>Protective sensor angle bracket with screws, very robust Material: stainless steel V2A</p> <p>F 25 UT 20 FL 20</p>
		<p>153-00297</p> <p>Part number / Article number</p> <p>Description</p> <p>Suitable for</p>	<p>MSP F 20-2 / 558-41005</p> <p>Protective sensor angle bracket with screws, very robust Material: stainless steel V2A</p> <p>F 25    UT 20-150 FL 20    UT 20-S150           UT 20-240</p>
		<p>153-00973</p> <p>Part number / Article number</p> <p>Description</p> <p>Suitable for</p>	<p>MSP F 20-13 / 558-41008</p> <p>Protective sensor angle bracket with screws, very robust Material: stainless steel V2A</p> <p>F 25    UT 20-150 FL 20    UT 20-S150           UT 20-240</p>
		<p>153-00972</p> <p>Part number / Article number</p> <p>Description</p> <p>Suitable for</p>	<p>MSP F 20-12 / 558-41007</p> <p>Protective sensor angle bracket with screws, very robust Material: stainless steel V2A</p> <p>F 25    UT 20-150 FL 20    UT 20-S150           UT 20-240</p>
		<p>153-00974</p> <p>Part number / Article number</p> <p>Description</p> <p>Suitable for</p>	<p>MSP F 20-21 / 558-41009</p> <p>Protective sensor angle bracket with screws, very robust Material: stainless steel V2A</p> <p>F 25    UT 20-150 FL 20    UT 20-S150           UT 20-240</p>
		<p>153-00975</p> <p>Part number / Article number</p> <p>Description</p> <p>Suitable for</p>	<p>MSP F 20-22 / 558-41010</p> <p>Protective sensor angle bracket with screws, very robust Material: stainless steel V2A</p> <p>F 25    UT 20-150 FL 20    UT 20-S150           UT 20-240</p>

Brackets for F 25, FL 20, UT 20 (Cont.)			
		153-01040	Part number / Article number
			Description
			Suitable for
			MZ F 25 / 661-01003
			Mounting adapter for FT 25 contrast sensors with horizontal or vertical light exit options, with screws Material: stainless steel V2A
			FT 25-W...-KL4 FT 25-RGB...-KL4

Brackets for F 50, F 55, F 88, FGL series			
		153-01164	Part number / Article number
			Description
			Suitable for
			MB ST2 / 661-01007
			Mounting component for Ø 12 mm mounting rod and 10 x 10 mm square profile, and F 55 and fork sensors (FGL), with M4 screw Material: die-cast zinc
			F 55, FGL, MST 45-20, MST 45-30, MST 45-40
		153-01287	Part number / Article number
			Description
		153-01288	Suitable for
			MBD F 55ST2 / 579-50012
			Mounting component for F 55 metall housing for bar Ø 12 mm or squared profile 10 x 10 mm, with M4 screw and M4 nut Material: die-cast zinc
			F 55 metall housing
		153-00065	Part number / Article number
			Description
			Suitable for
			MS F 50 / 579-50000
			Angle bracket with screws Material: stainless steel VA
			F 50 F 55
		153-00298	Part number / Article number
			Description
			Suitable for
			MSP F 50 / 579-50005
			Protective sensor angle bracket with screws, very robust, light exit possible on three sides Material: stainless steel VA
			F 50





# Accessories

## Brackets

### Brackets for fibre-optic cables and round housings




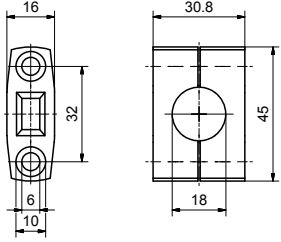
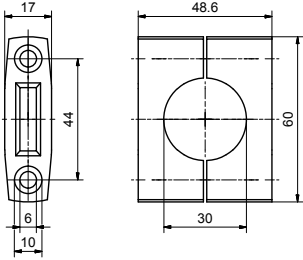
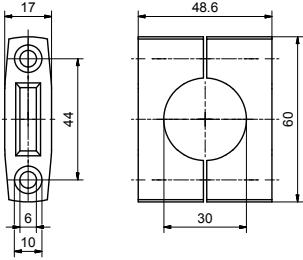

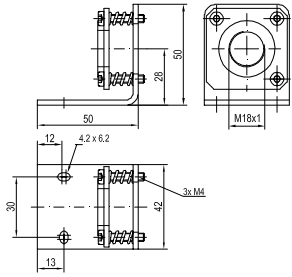

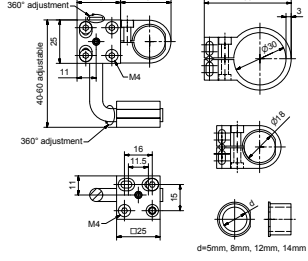

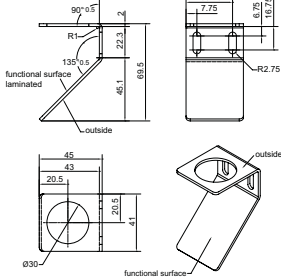
<p>153-00193</p>	<p>Part number / Article number</p> <p>Description</p> <p>Suitable for</p>	<p>MB 3,5 / 903-50313</p> <p>Mounting block / fibre mount, closed curve</p> <p>Material: nickel-plated brass</p> <p>Fibre-optic cables</p>
<p>153-00234</p>	<p>Part number / Article number</p> <p>Description</p> <p>Suitable for</p>	<p>MB 4,5 / 903-50314</p> <p>Mounting block / fibre mount, open curve</p> <p>Material: nickel-plated brass</p> <p>Fibre-optic cables</p>
<p>153-00194</p>	<p>Part number / Article number</p> <p>Description</p> <p>Suitable for</p>	<p>MB 6 / 903-05139</p> <p>Mounting block / fibre mount, open curve</p> <p>Material: nickel-plated brass</p> <p>Fibre-optic cables</p>
<p>153-00195</p>	<p>Part number / Article number</p> <p>Description</p> <p>Suitable for</p>	<p>MB 7 / 903-05140</p> <p>Mounting block / fibre mount, open curve</p> <p>Material: nickel-plated brass</p> <p>Fibre-optic cables</p>
<p>153-00235</p>	<p>Part number / Article number</p> <p>Description</p> <p>Suitable for</p>	<p>MB 8 / 903-05141</p> <p>Mounting block / fibre mount, open curve</p> <p>Material: nickel-plated brass</p> <p>Fibre-optic cables, round M8 housings</p>
<p>153-00236</p>	<p>Part number / Article number</p> <p>Description</p> <p>Suitable for</p>	<p>MB 10 / 903-05142</p> <p>Mounting block / fibre mount, open curve</p> <p>Material: nickel-plated brass</p> <p>Fibre-optic cables, round M10 housings</p>

Brackets for fibre-optic cables and round housings (Cont.)			
		<p>153-00196</p> <p>Part number / Article number</p> <p>Description</p> <p>Suitable for</p>	<p>MB 12 / 903-05143</p> <p>Mounting block / fibre mount, closed curve</p> <p>Material: nickel-plated brass</p> <p>Fibre-optic cables, round M12 housings</p>
		<p>153-00559</p> <p>Part number / Article number</p> <p>Description</p> <p>Suitable for</p>	<p>MC 08 / 041-01306</p> <p>Mounting angle for round housings</p> <p>Material: aluminium</p> <p>Round M8 housings</p>
		<p>153-00558</p> <p>Part number / Article number</p> <p>Description</p> <p>Suitable for</p>	<p>MA 12 / 041-01305</p> <p>Mounting angle for round housings</p> <p>Material: aluminium</p> <p>Round M12 housings</p>
		<p>153-00015</p> <p>Part number / Article number</p> <p>Description</p> <p>Suitable for</p>	<p>MA 18 / 041-01304</p> <p>Mounting angle for round housings</p> <p>Material: aluminium</p> <p>Round M18 housings</p>
		<p>153-00017</p> <p>Part number / Article number</p> <p>Description</p> <p>Suitable for</p>	<p>MA 30 / 041-01303</p> <p>Mounting angle for round housings</p> <p>Material: aluminium</p> <p>Round M30 housings</p>



# Accessories

## Brackets

Brackets for fibre-optic cables and round housings (Cont.)				
		153-00016	Part number / Article number	MC 18 / 042-01528
		Description Suitable for	Retaining clip for round housings Material: plastic Round M18 housings	
		153-00018	Part number / Article number	MC 30 / 042-01527
		Description Suitable for	Retaining clip for round housings Material: plastic Round M30 housings	
		153-00059	Part number / Article number	MA 18 A / 042-12825
		Description Suitable for	Universal mounting angle for round housings, fine-adjustable with adjusting screws Material: galvanised steel Round M12 and M18 housings	
		153-01016	Part number / Article number	MS M5-30 / 558-41012
		Description Suitable for	Universal bracket for round housings Material: connecting rod, metal / mounting elements, plastic Round M5, M8, M12, M14, M18 and M30 housings	
		153-00959	Part number / Article number	Deflection mirror / 691-51535
		Description Suitable for	Deflection mirror for ultrasonic sensors Material: stainless steel UMT 30-350 UMT 30-1300	

Brackets for VISOR®									
		<p>153-00547</p> <p>Part number / Article number</p> <p>Description</p> <p>Suitable for</p>	<p>MP 45 / 543-11003</p> <p>Mounting plate for mounting rod Material: anodised aluminium</p> <p>MST 45-xx</p>						
		<p>153-01000</p> <p>Part number / Article number</p> <p>Description</p> <p>Suitable for</p>	<p>MB ST1 / 661-01002</p> <p>Mounting for mounting rod with clamping screw Material: aluminium</p> <p>MST 45-20 MST 45-30 MST 45-40</p>						
	<table border="1" data-bbox="614 952 837 1064"> <tr> <td>x = 200</td> <td>MST 45-20</td> </tr> <tr> <td>x = 300</td> <td>MST 45-30</td> </tr> <tr> <td>x = 400</td> <td>MST 45-40</td> </tr> </table>	x = 200	MST 45-20	x = 300	MST 45-30	x = 400	MST 45-40	<p>153-00545</p> <p>Part number / Article number</p> <p>Description</p> <p>Suitable for</p>	<p>MST 45-20 / 543-11005 MST 45-30 / 543-11006 MST 45-40 / 543-11007</p> <p>Mounting rod with M6 internal thread Material: stainless steel</p> <p>MP 45, MB ST 1, MG 45, MB 45, MZ 45</p>
x = 200	MST 45-20								
x = 300	MST 45-30								
x = 400	MST 45-40								
		<p>153-00776</p> <p>Part number / Article number</p> <p>Description</p> <p>Suitable for</p>	<p>MG 45 / 543-11008</p> <p>Mounting hinge for mounting rod Material: anodised aluminium, steel screw with plastic handle</p> <p>MST 45-xx</p>						
		<p>153-00546</p> <p>Part number / Article number</p> <p>Description</p> <p>Suitable for</p>	<p>MZ 45 / 543-11004</p> <p>Intermediate mounting piece for mounting rod Material: anodised aluminium</p> <p>MST 45-xx</p>						
		<p>153-00481</p> <p>Part number / Article number</p> <p>Description</p> <p>Suitable for</p>	<p>MB 45 / 543-11002</p> <p>Mounting block for mounting rod Material: anodised aluminium</p> <p>MST 45-xx MA 45 MA 45 L</p>						


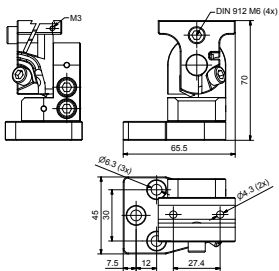

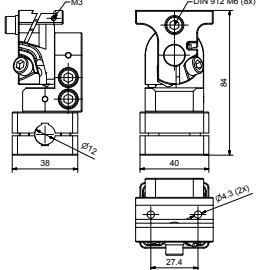
A

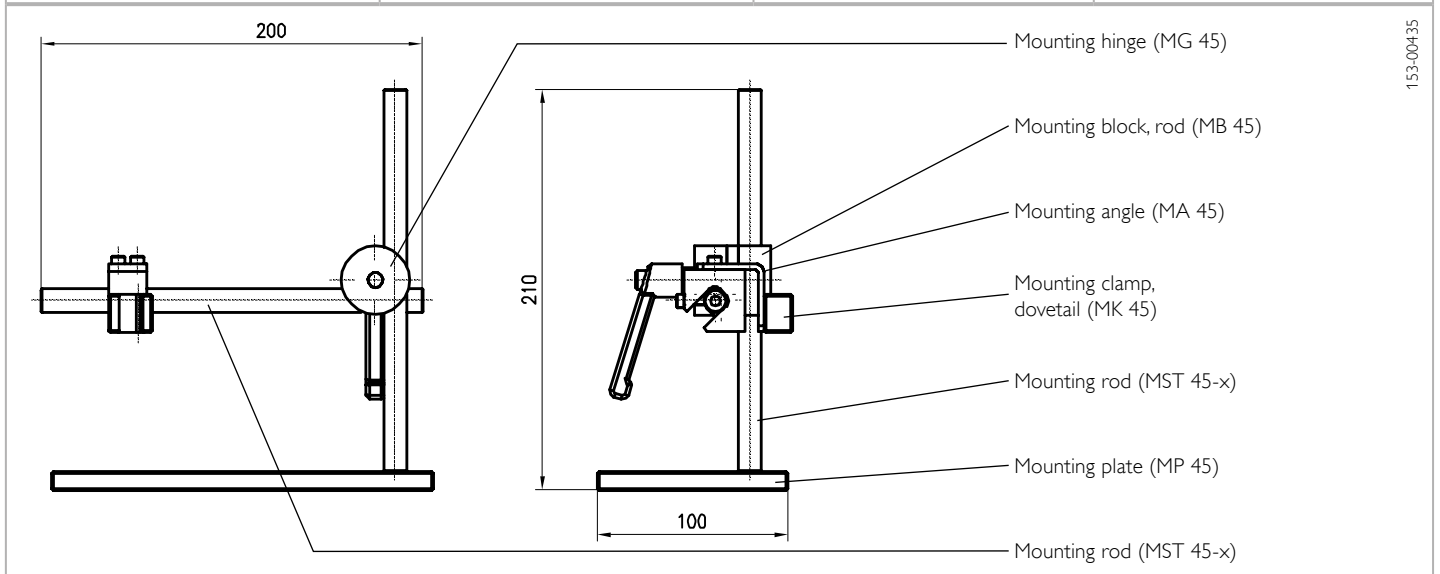
# Accessories

## Brackets

Brackets for VISOR® (Cont.)			
	<p style="text-align: right;">153-00482</p>	<p>Part number / Article number MA 45 / 543-11001</p> <p>Description Mounting angle Material: stainless steel V2A</p> <p>Suitable for MK 45 MK 45 L MB 45</p>	
	<p style="text-align: right;">153-00600</p>	<p>Part number / Article number MA 45 L / 543-11013</p> <p>Description Mounting angle, long Material: stainless steel V2A</p> <p>Suitable for MK 45 MK 45 L MB 45</p>	
	<p style="text-align: right;">153-00480</p>	<p>Part number / Article number MK 45 / 543-11000</p> <p>Description Mounting clamp, dovetail Material: anodised aluminium Screw: steel</p> <p>Suitable for VISOR®</p>	
	<p style="text-align: right;">153-01286</p>	<p>Part number / Article number MK 45 L / 543-11021</p> <p>Description Mounting clamp, dovetail, long Material: anodised aluminium, Screw: steel</p> <p>Suitable for VISOR®</p>	
	<p style="text-align: right;">153-13535</p>	<p>Part number / Article number MA 45-63/105 UR / 543-11043</p> <p>Description Mounting angle for VISOR® for UR robot Material: aluminium</p> <p>Suitable for VISOR®</p>	


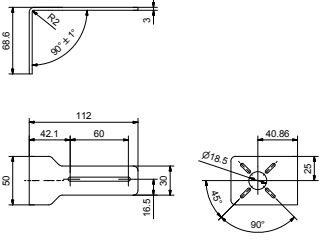

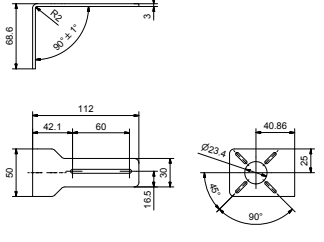

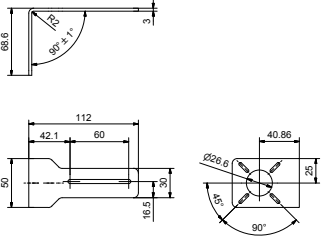

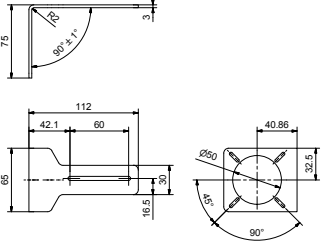

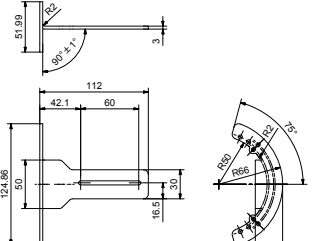

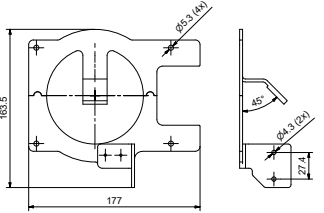
Brackets for VISOR® (Cont.)

		<p>153-01181</p> <p>Part number / Article number</p> <p>Description</p> <p>Suitable for</p>	<p>MG 3A / 543-11024</p> <p>Mounting hinge with 3 axes and drilled hole for mounting rod Material: anodised aluminium</p> <p>VISOR®</p>
		<p>153-12533</p> <p>Part number / Article number</p> <p>Description</p> <p>Suitable for</p>	<p>MG 3A-MST12 / 543-11034</p> <p>Mounting hinge with 3 axes for fixing at mounting rods 12 mm Material: anodised aluminium</p> <p>VISOR®</p>

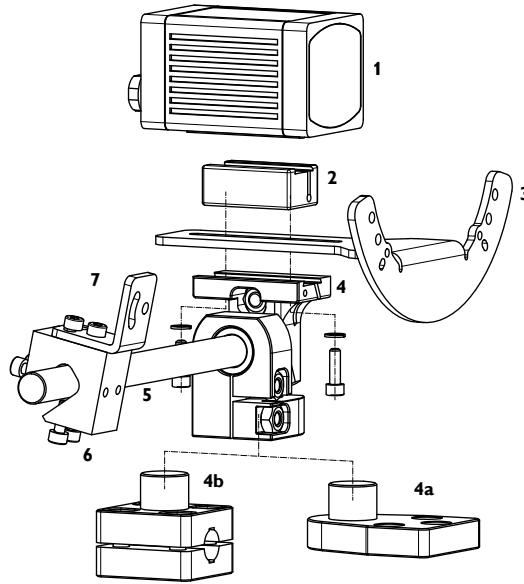


# Accessories

## Brackets

Brackets for illumination			
		<p>153-00707</p> <p>Part number / Article number</p> <p>Description</p> <p>Suitable for</p>	<p>MA LR-18/112 / 543-11016</p> <p>Angle bracket for lighting, Ø 18 mm Length: 112 mm Material: nickel-plated steel</p> <p>LR 32 x-24-KFL5 LD 50 xD-24-KFL5</p>
		<p>153-00721</p> <p>Part number / Article number</p> <p>Description</p> <p>Suitable for</p>	<p>MA LR-23/112 / 543-11019</p> <p>Angle bracket for lighting, Ø 23 mm Length: 112 mm Material: nickel-plated steel</p> <p>LR 56 x-24-KFL5 LR 70 xD-24-KFL5 LR 70 xID-24-KFL5</p>
		<p>153-00722</p> <p>Part number / Article number</p> <p>Description</p> <p>Suitable for</p>	<p>MA LR-26/112 / 543-11017</p> <p>Angle bracket for lighting, Ø 26 mm Length: 112 mm Material: nickel-plated steel</p> <p>LR 50 xW-24-KFL5 LR 70 x-24-KFL5</p>
		<p>153-00723</p> <p>Part number / Article number</p> <p>Description</p> <p>Suitable for</p>	<p>MA LR-50/112 / 543-11018</p> <p>Angle bracket for lighting, Ø 50 mm Length: 112 mm Material: nickel-plated steel</p> <p>LR 74 xW-24-KFL5 LR 75 xI-24-KFL5 LR 90 xW-24-KFL5 LR 100 xID-24-KFL5</p>
		<p>153-00724</p> <p>Part number / Article number</p> <p>Description</p> <p>Suitable for</p>	<p>MA LR-100/112 / 543-11015</p> <p>Angle bracket for lighting, Ø 100 mm Length: 112 mm Material: nickel-plated steel</p> <p>LM 100 WWK-24Q4-2L12 LM 100 RWK-24Q4-2L12 LR 100 xD-24-KFL5 LR 130 xI-24-KFL5 LR 132 xW-24-KFL LFR 115 xD-24-2L12</p>
		<p>153-13652</p> <p>Part number / Article number</p> <p>Description</p> <p>Suitable for</p>	<p>MA LR-100/160-U90 / 543-11045</p> <p>Retaining bracket illumination ring light, Ø 100 mm with deflector mirror 90° Material: stainless steel</p> <p>LR 100 RI-24-2L12</p>

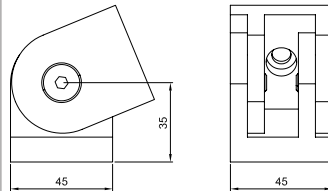
### Brackets for illumination (Cont.)



155-03518

- 1** VISOR®
- 2** Mounting clamp, dovetail, long  
MK 45 L / 543-11021
- 3** Angle bracket for lighting:  
MA LR-100/112 / 543-11015  
MA LR-18/112 / 543-11016  
MA LR-26/112 / 543-11017  
MA LR-50/112 / 543-11018  
MA LR-23/112 / 543-11019
- 4** Mounting hinge with 3 axes  
\*for fixing at mounting rods 12 mm
- 4a** MG 3A / 543-11024
- 4b** \*MG 3A-MST12 / 543-11034
- 5** Mounting Rod MST  
MST 45-20 / 543-11005  
MST 45-30 / 543-11006  
MST 45-40 / 543-11007
- 6** Mounting block MB / 45 543-11002
- 7** Mounting angle MA 45 / 543-11001  
Mounting angle MA 45L / 543-11013

### Brackets for light strips, High Power, LBxxx



153-01178

Part number / Article number

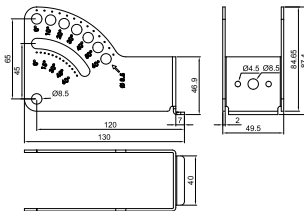
MG LB L / 543-11025

Description

Mounting hinge light strip long  
Material: nickel-plated steel

Suitable for

Light strips High Power, LBxxx



153-01179

Part number / Article number

MG LB LL / 543-11026

Description

Mounting angle light strip long, lite  
Material: anodised aluminium

Suitable for

Light strips High Power, LBxxx