

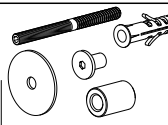
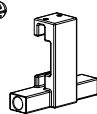








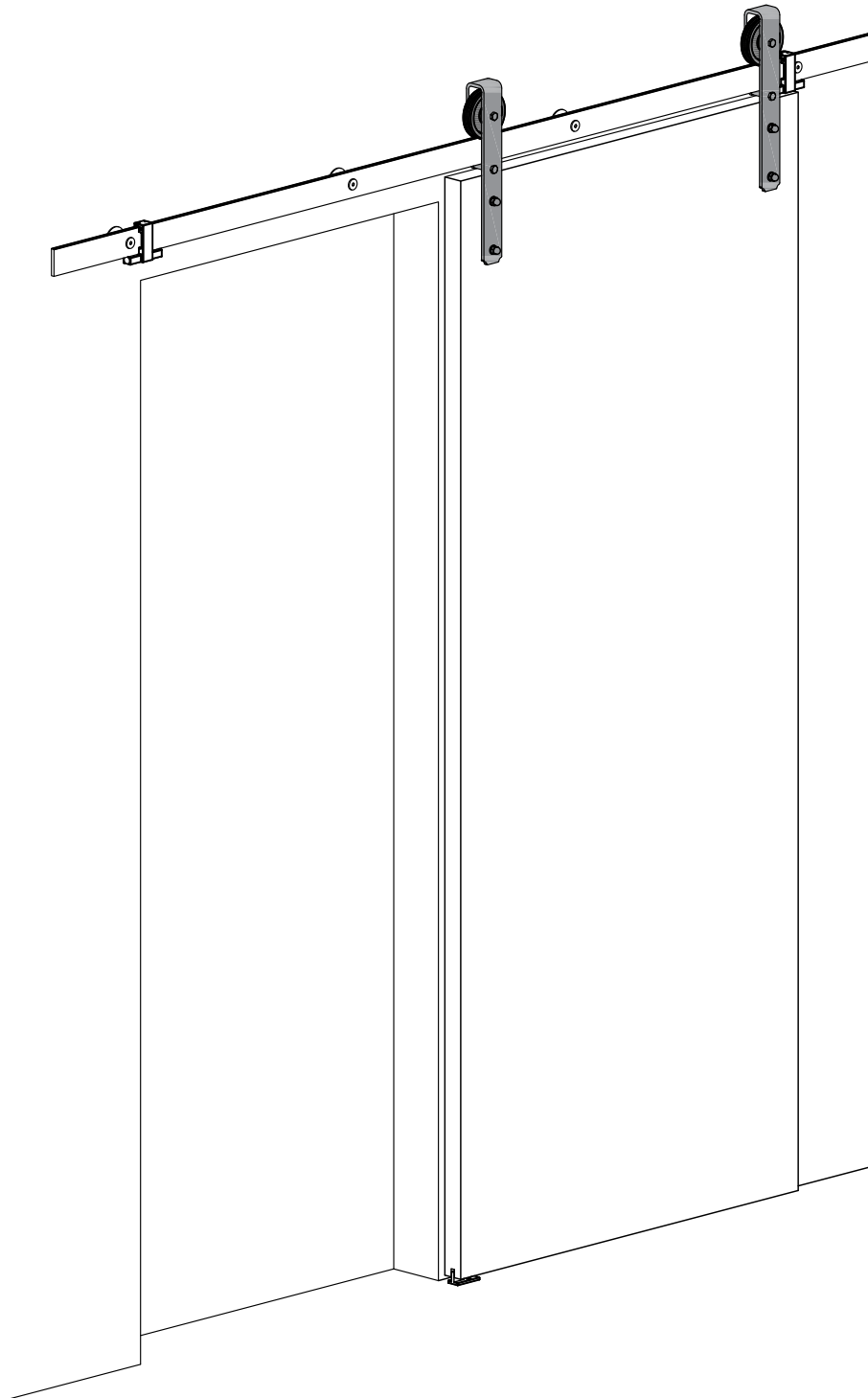


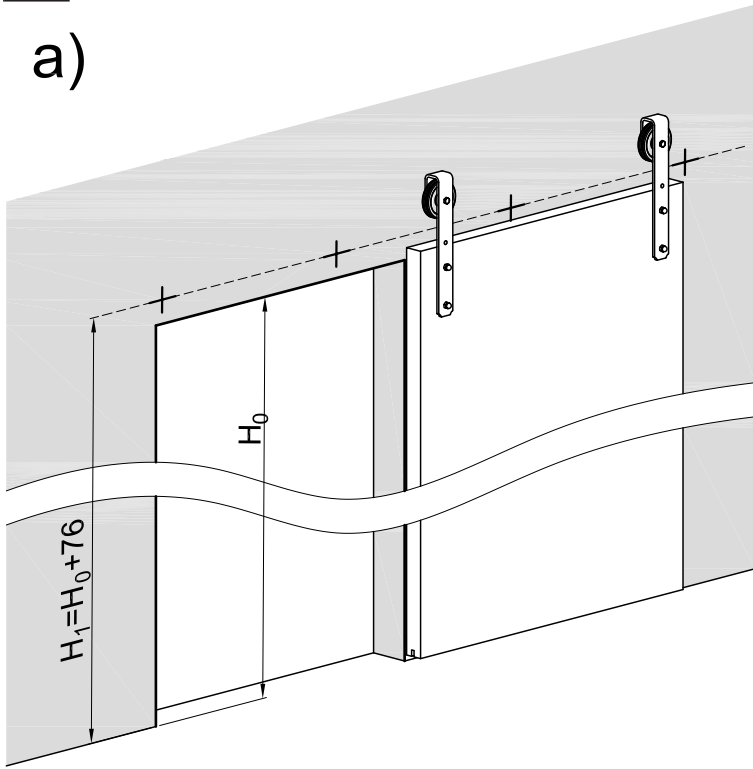


-   
x1
-   
x2
-   
x4/x5
-   
x2
-   
x2
-   
x1
-   
St4x40  
  
Ø6x30  
x2
-   
M8  
x4
-   
Ø8  
x8
-   
M8x55  
x4
-   
120  
KG

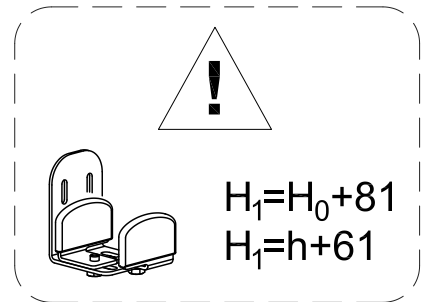
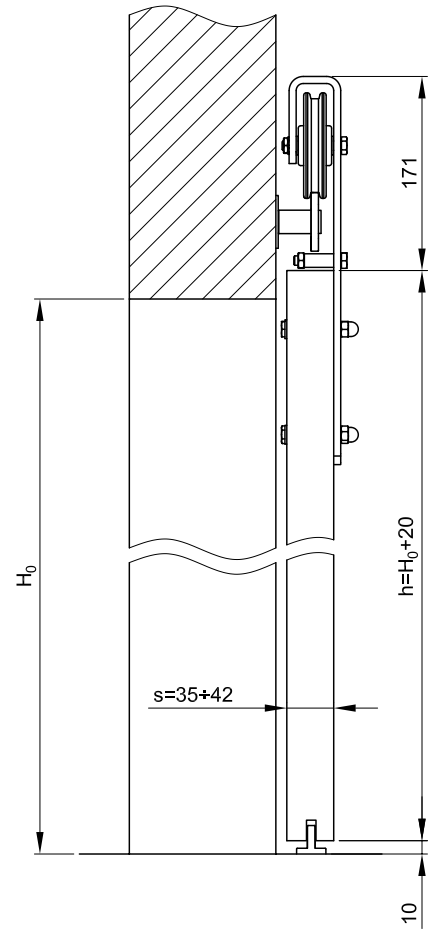
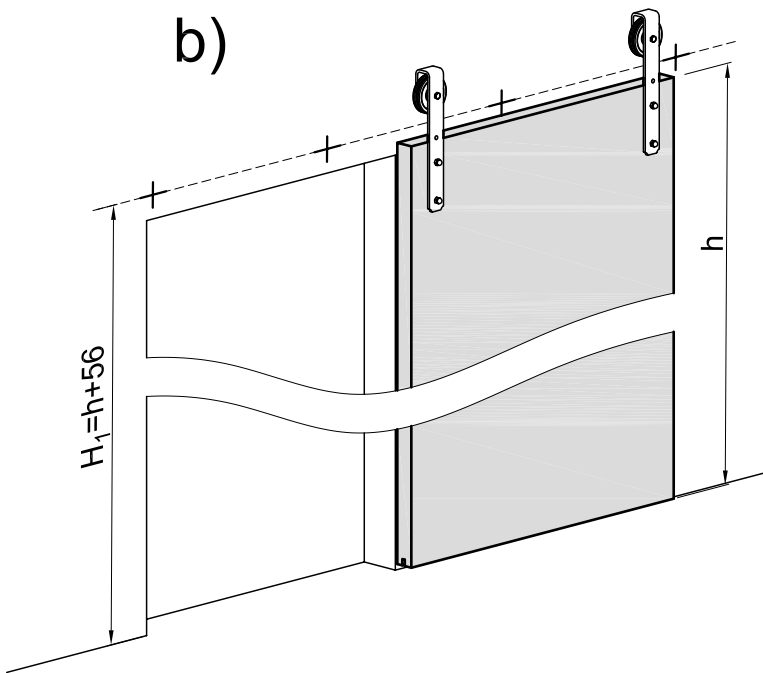


1

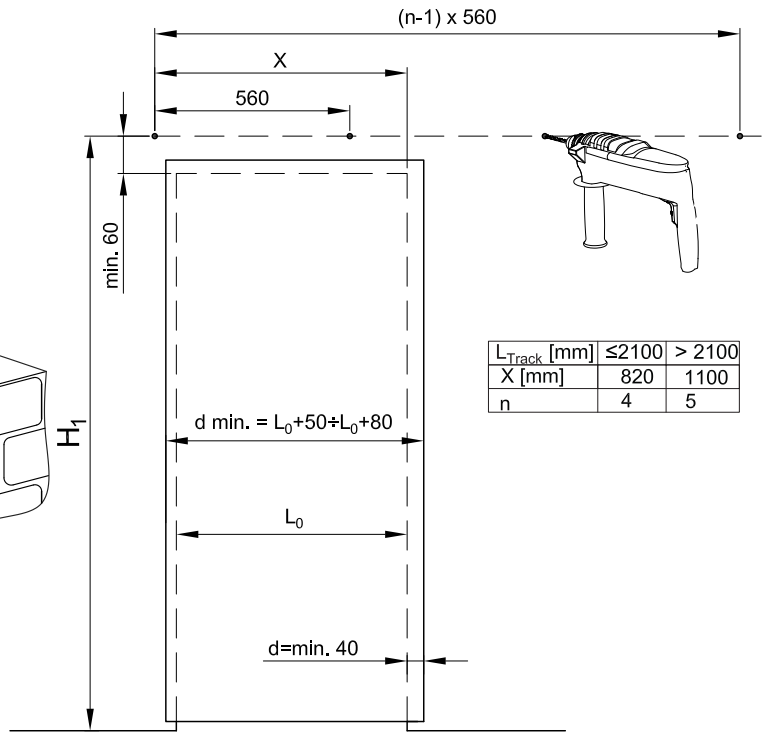
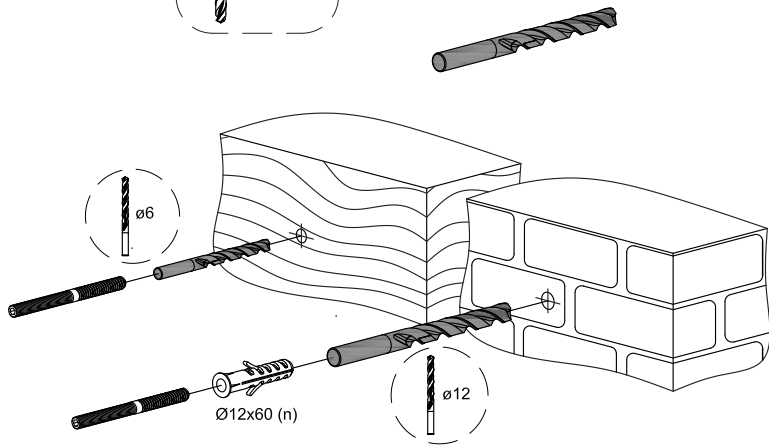
a)



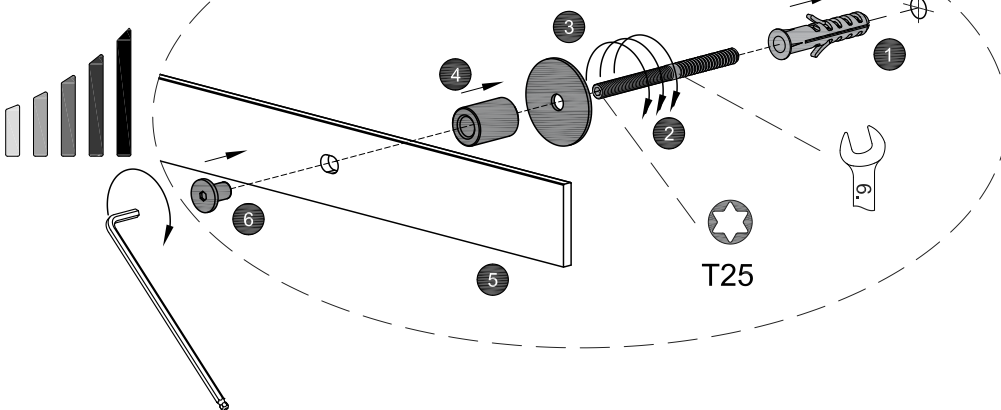
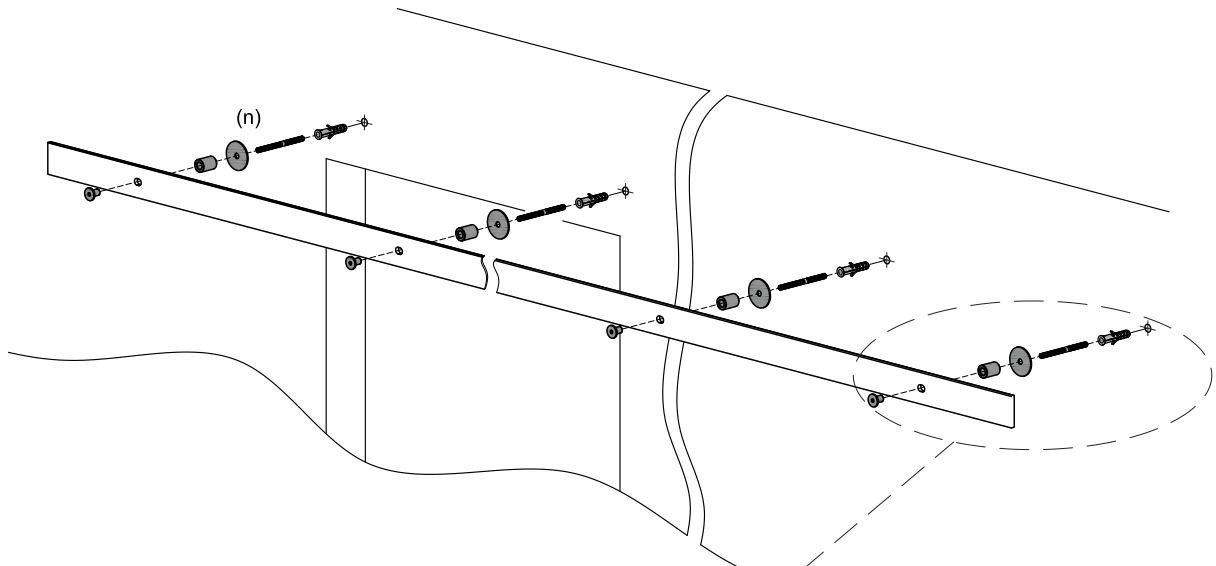
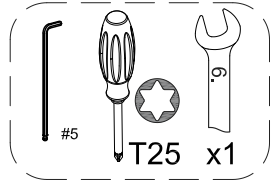
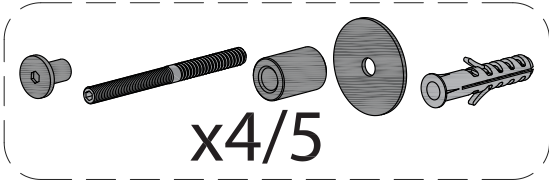
b)



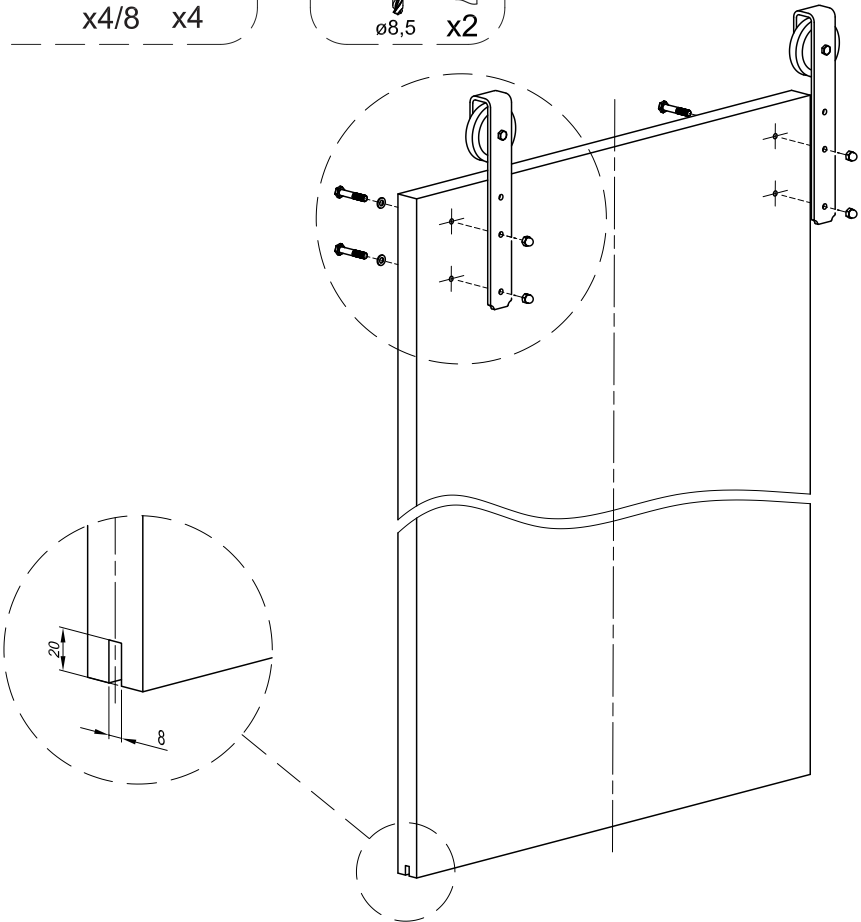
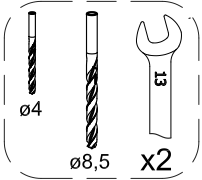
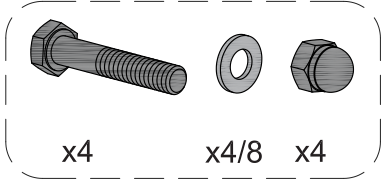
2



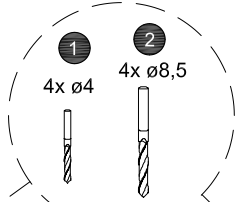
3



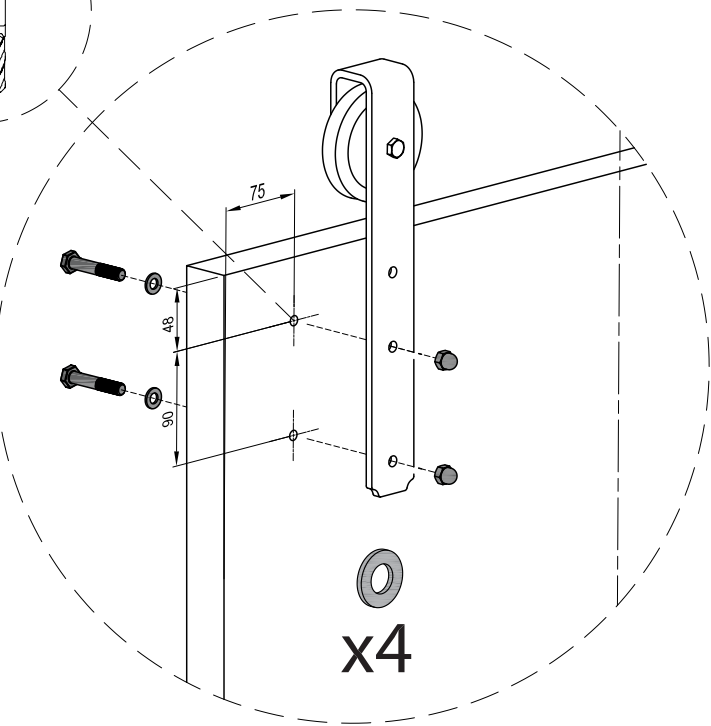
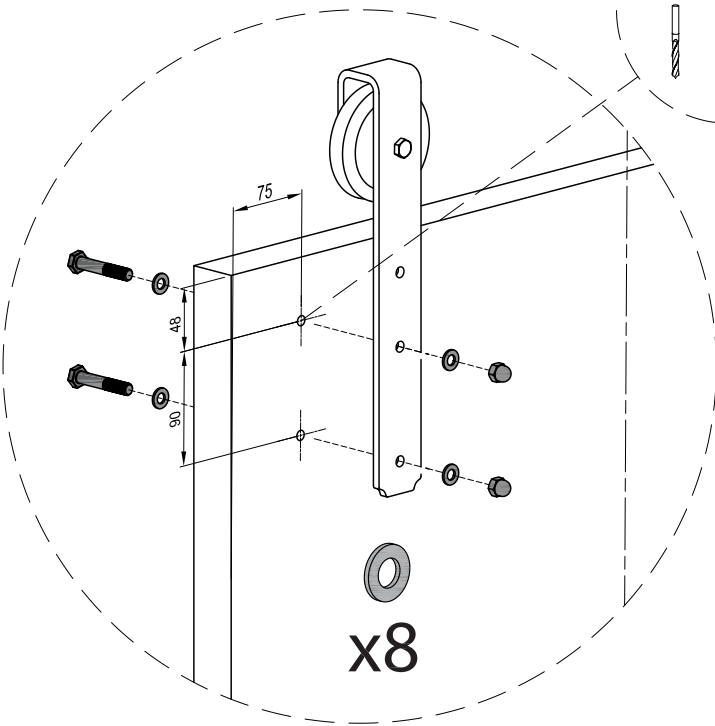
4



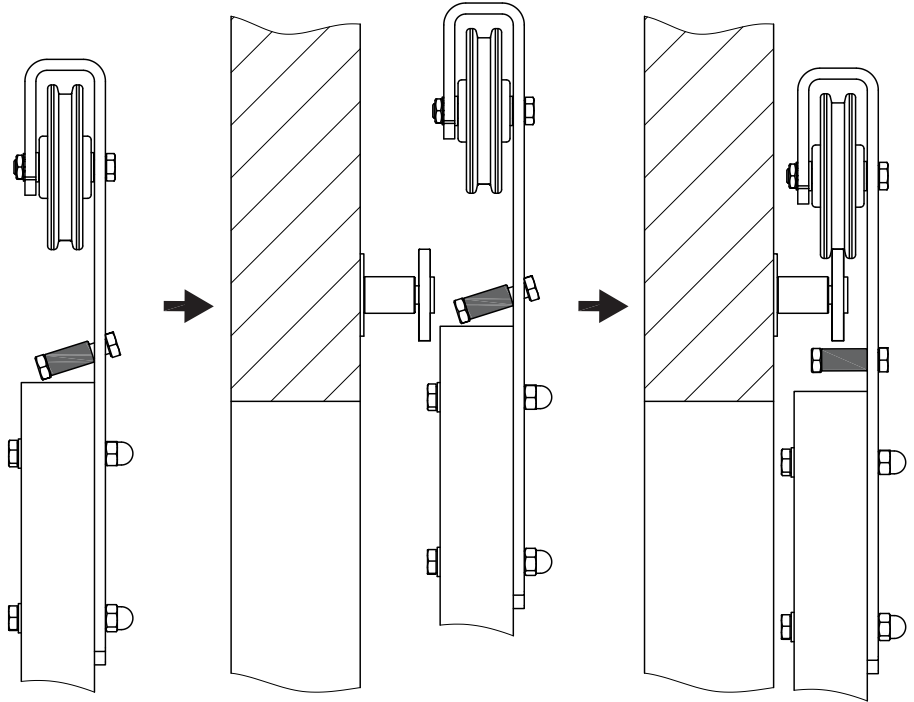
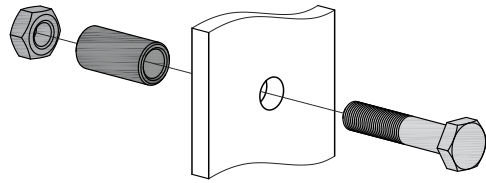
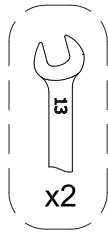
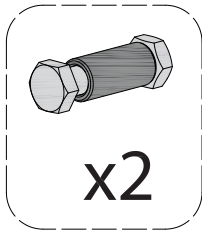
!  $35 < s < 38$



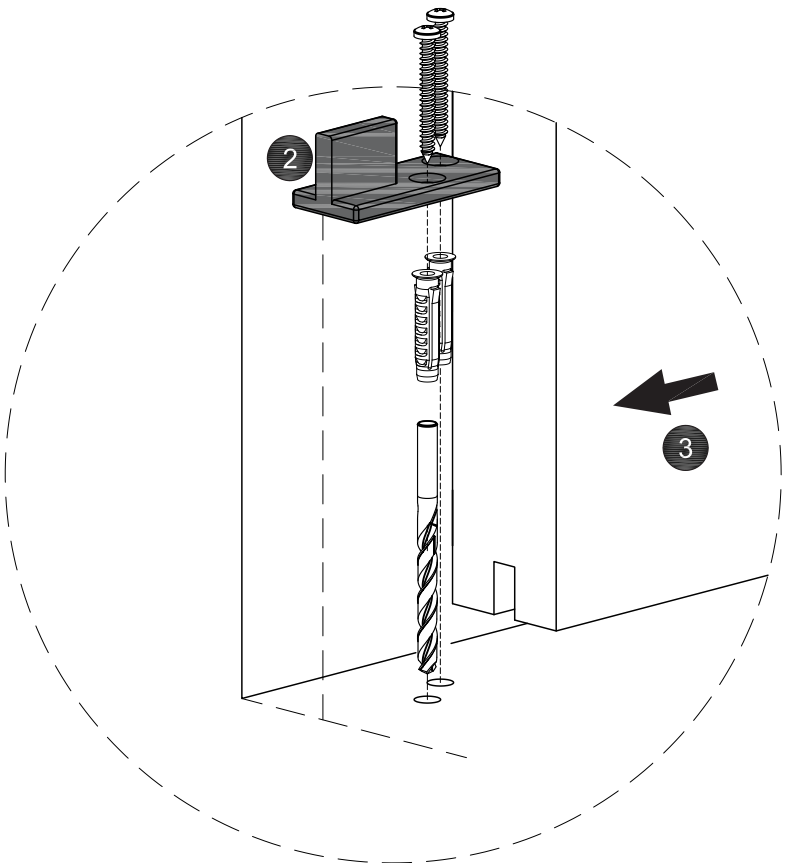
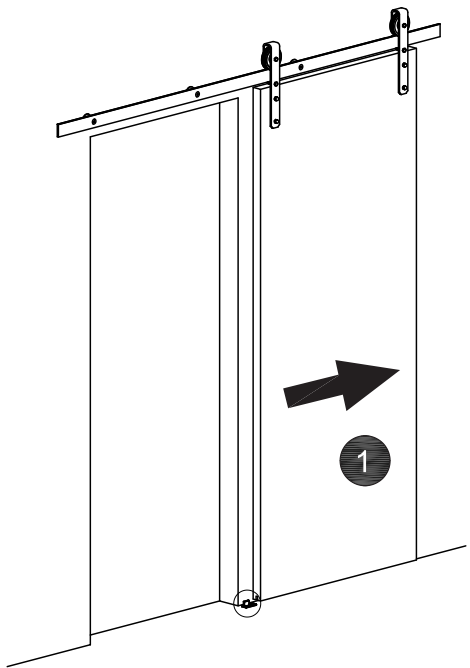
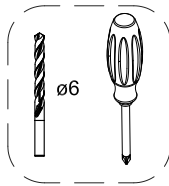
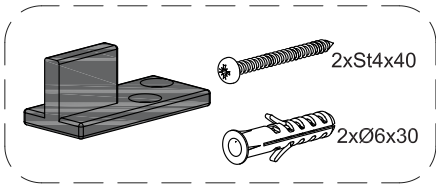
$38 \leq s < 42$



5

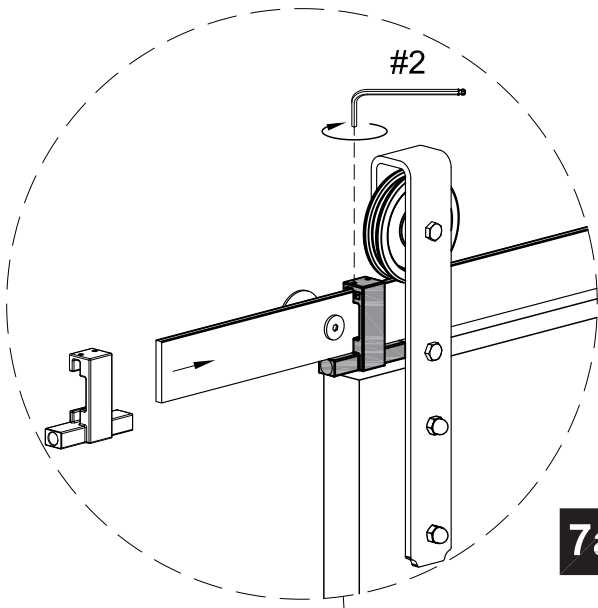
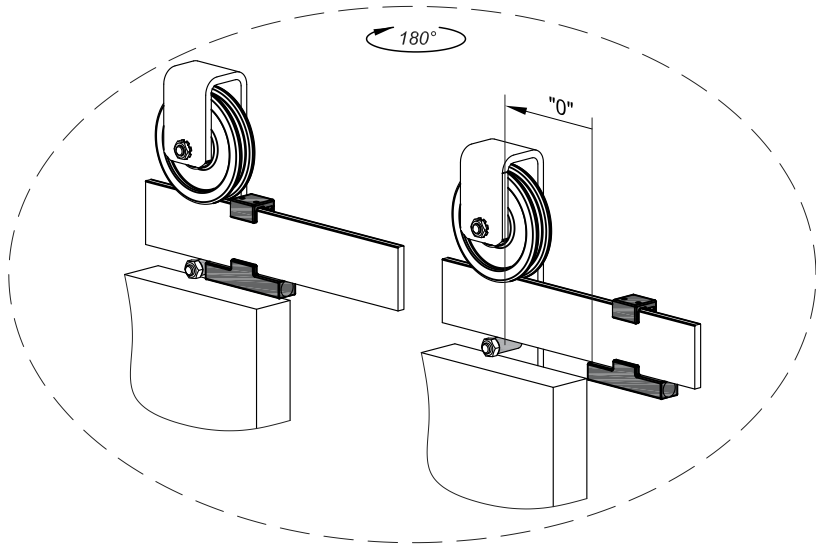
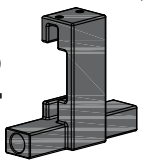


6

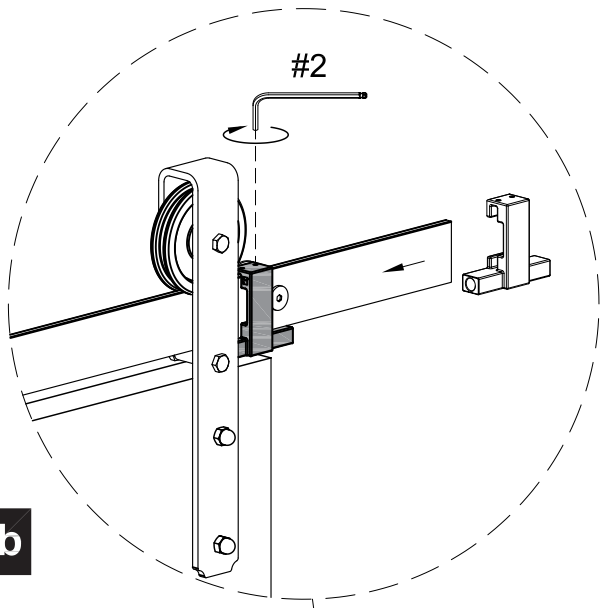


7

x2



7a



7b

