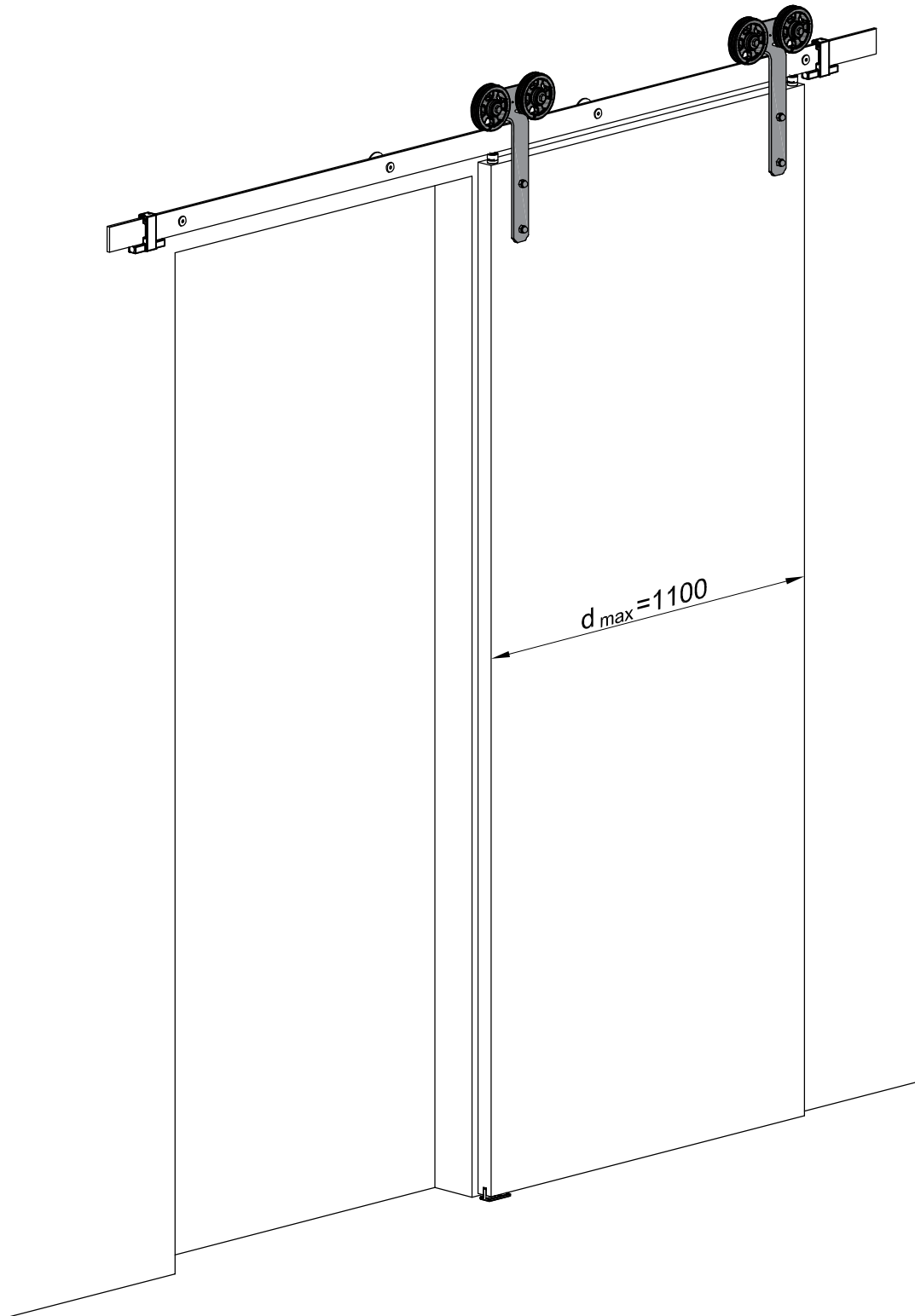
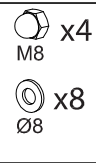
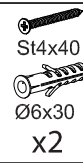
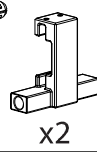
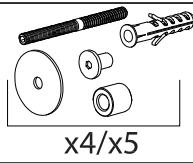
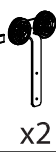
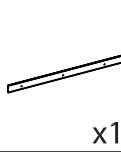




**MANTION POLSKA**

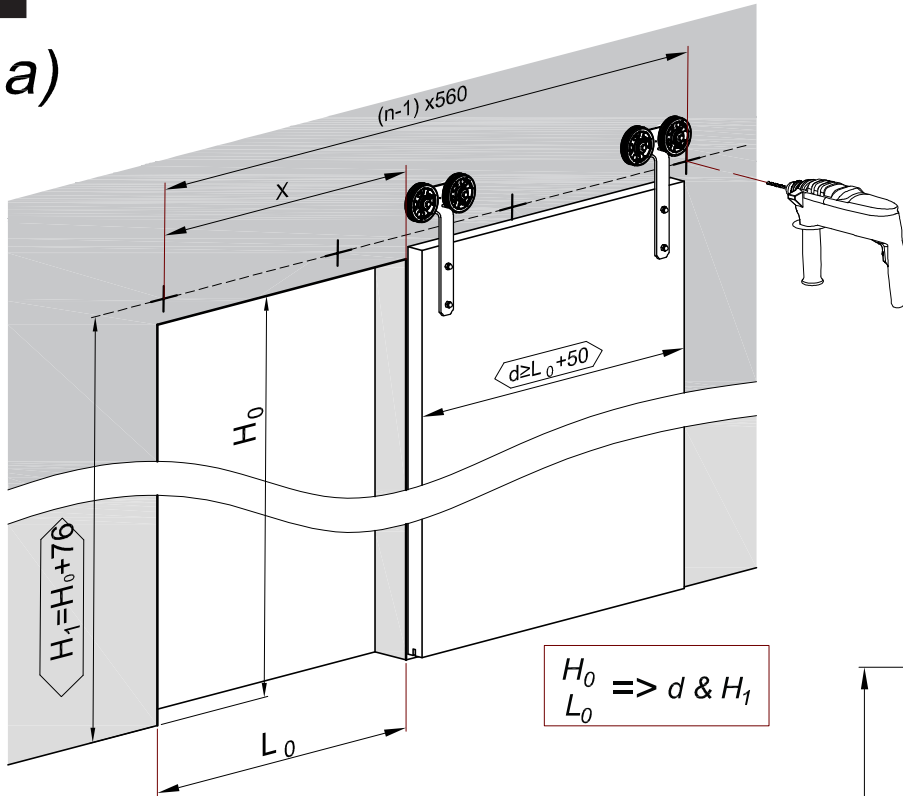
WWW.MANTION.PL

# Loki | ROC DESIGN index

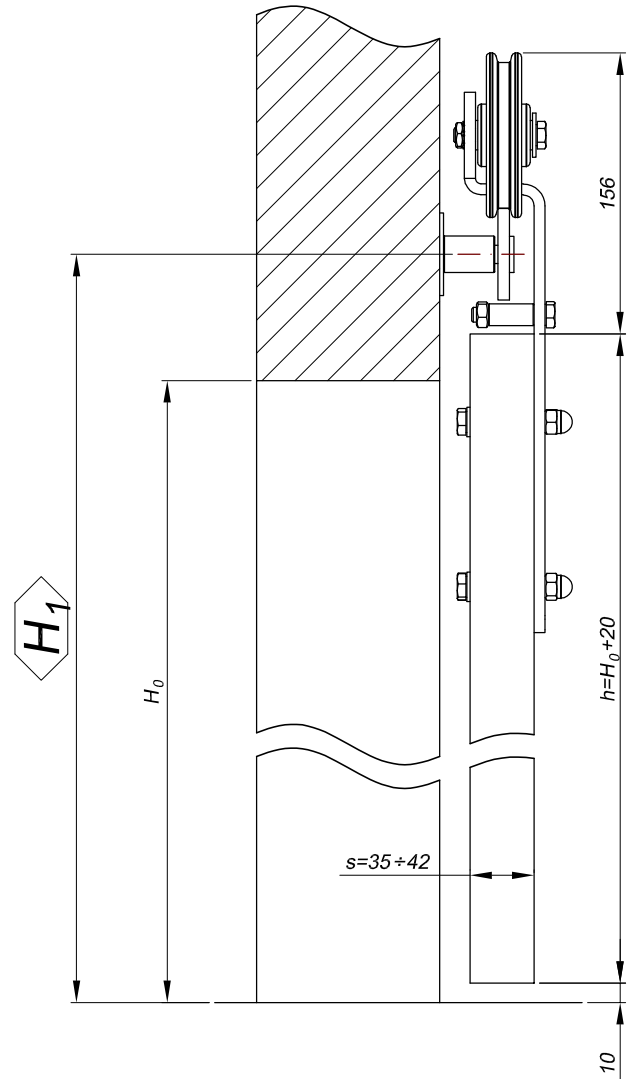


1

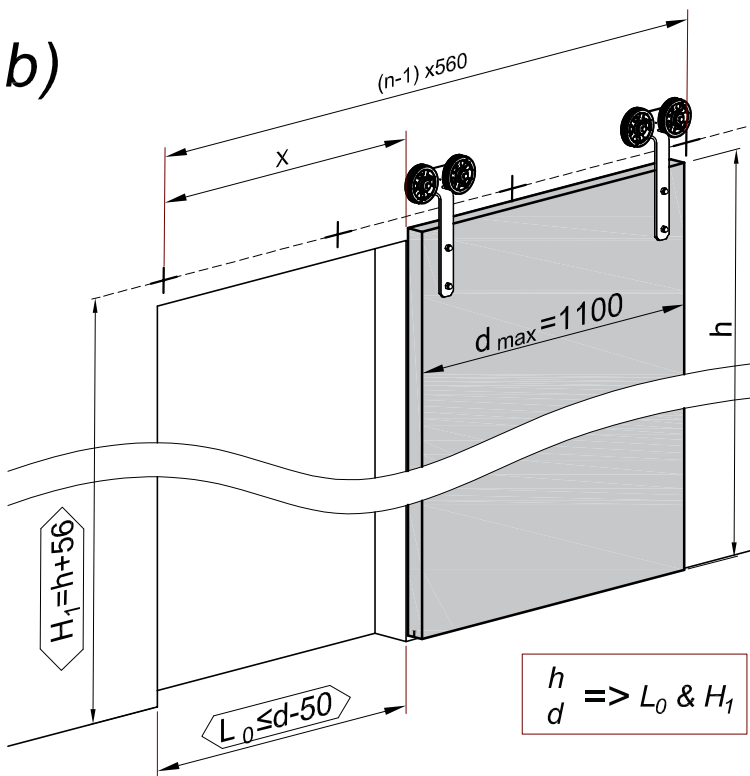
a)



$L_{Track}$ [mm]	1950	2400
X [mm]	840	1120
n	4	5



b)

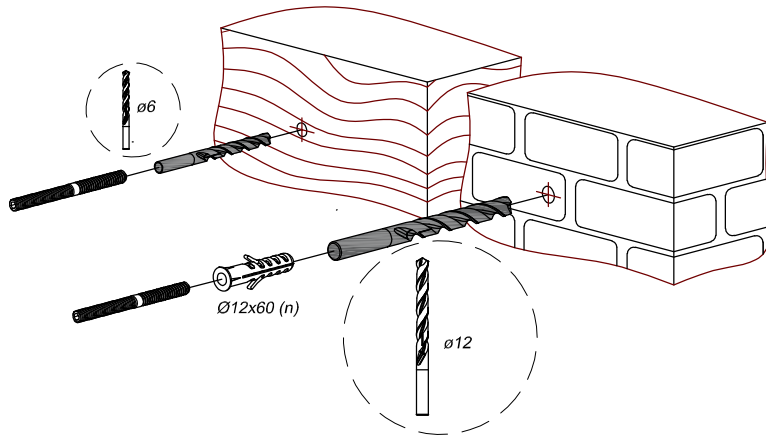
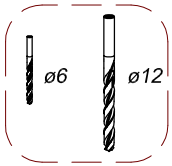


**index**

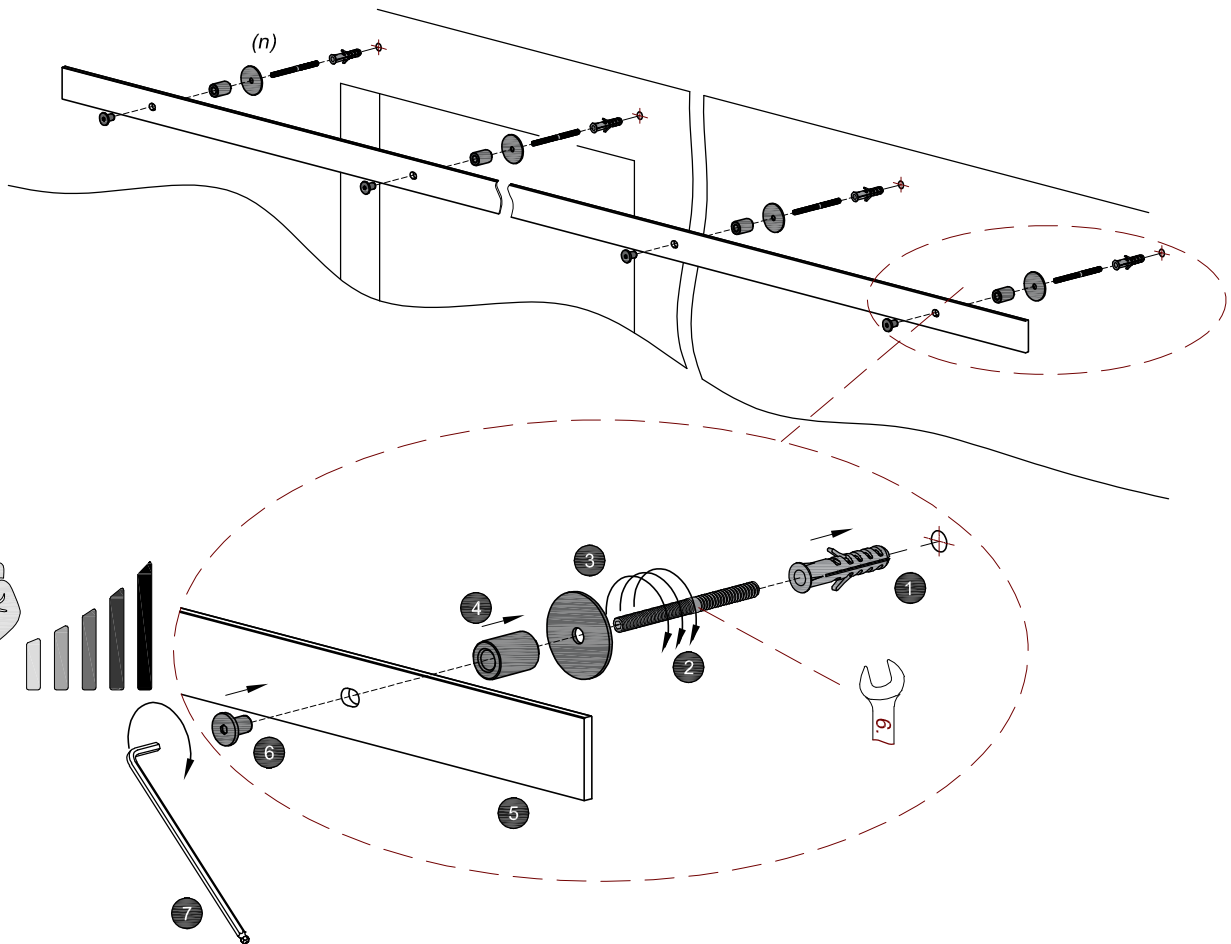
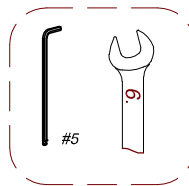
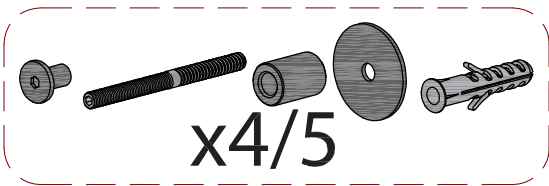
$H_1 = H_0 + 81$   
 $H_1 = h + 61$



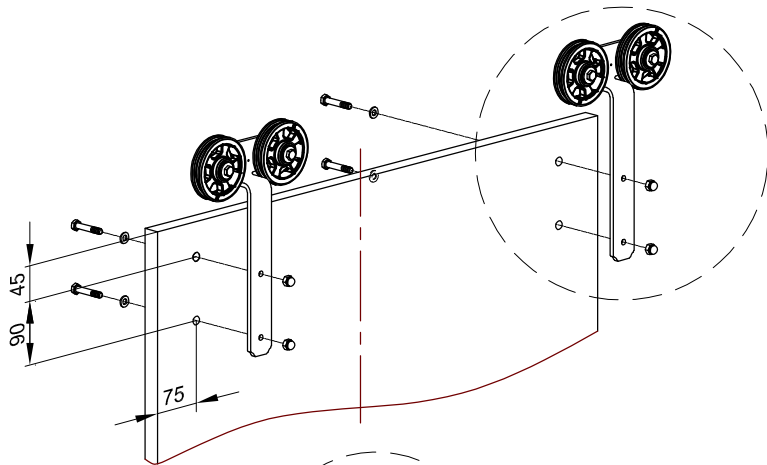
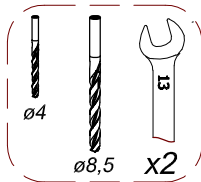
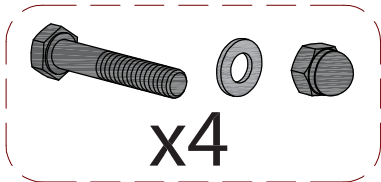
2



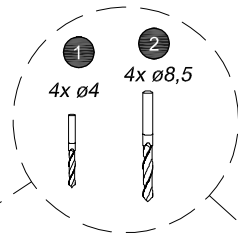
3



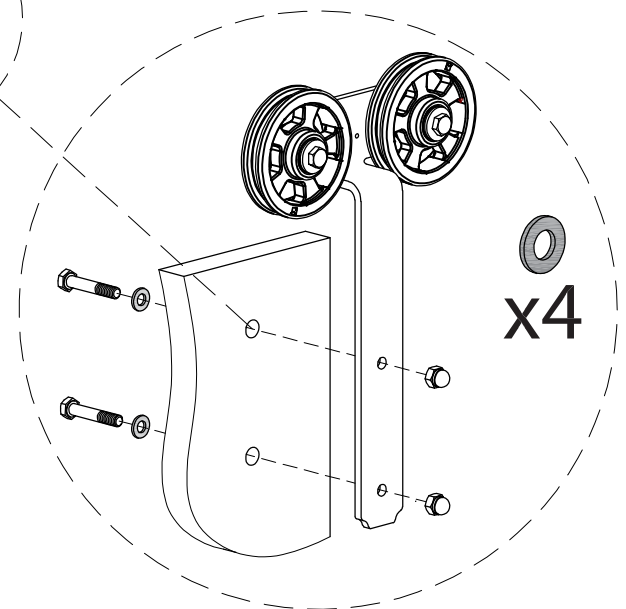
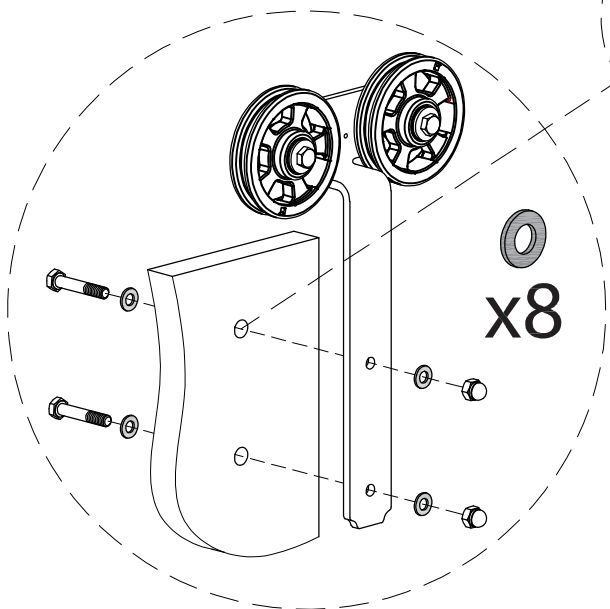
4



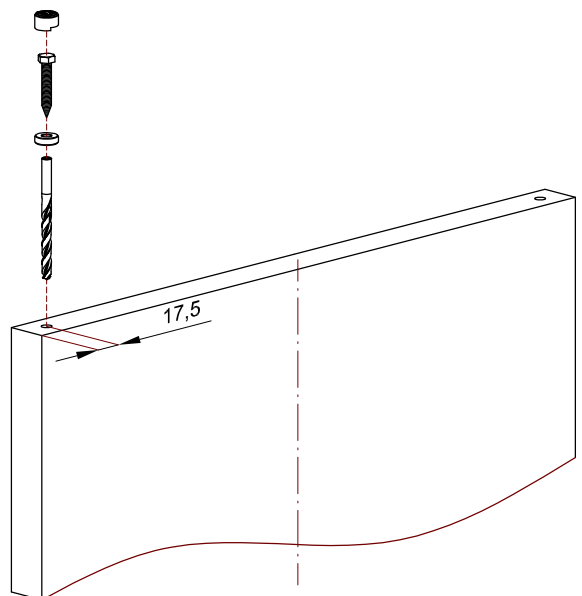
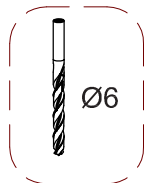
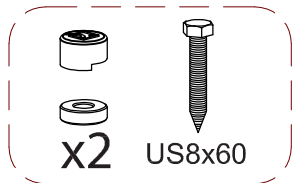
! 35 < s < 38



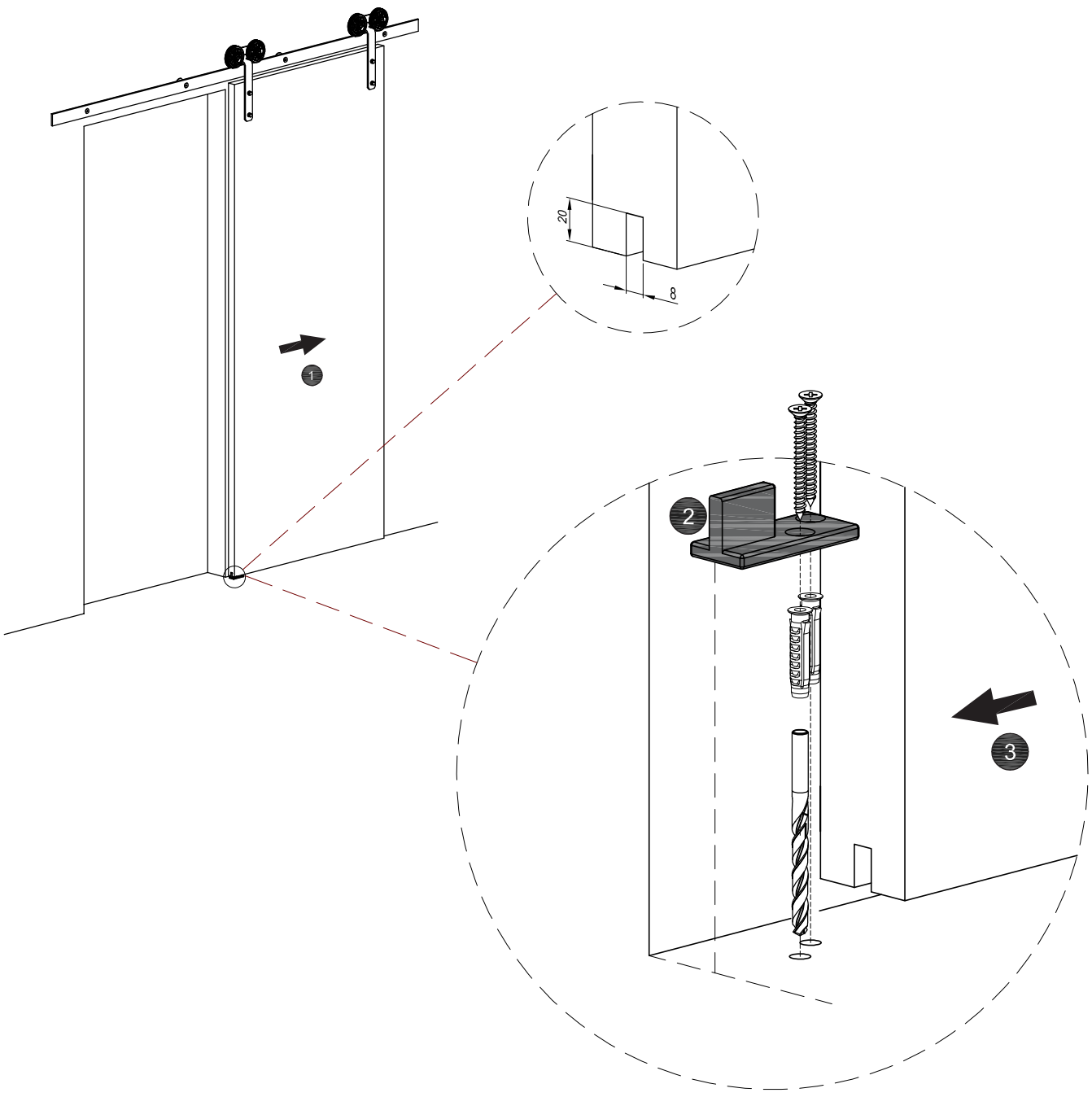
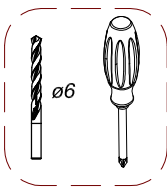
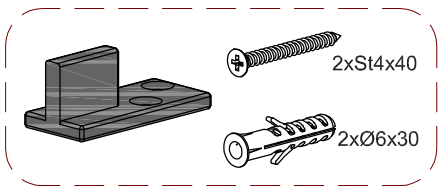
38 ≤ s < 42



5



6



7

x2

