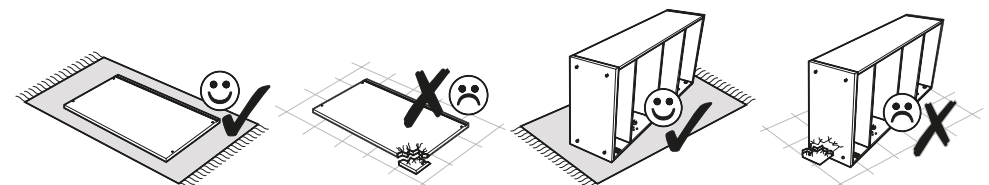
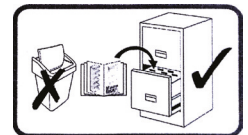
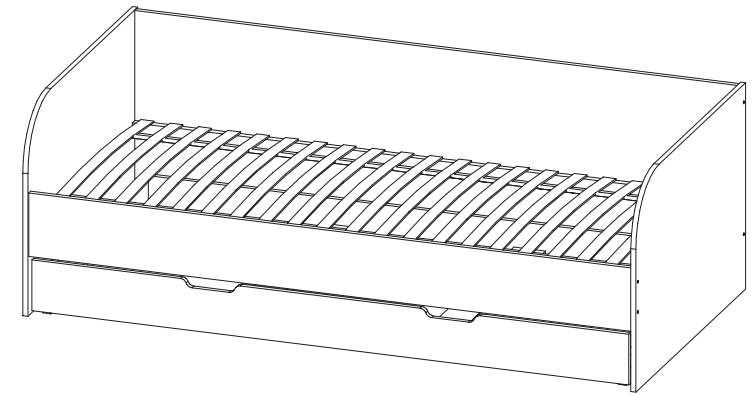
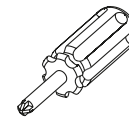
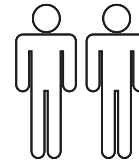
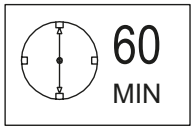





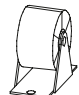

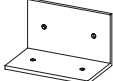



SOFIA

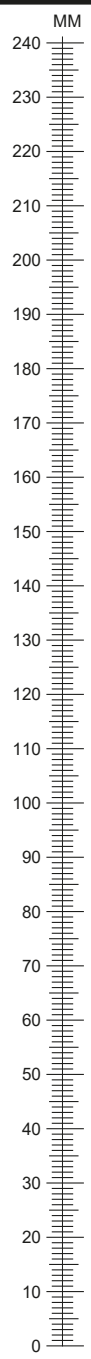
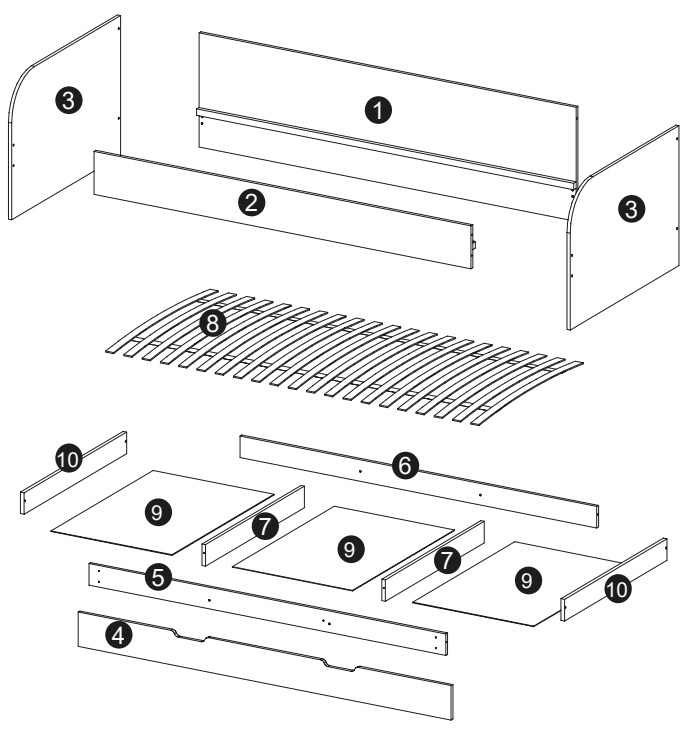


SOFIA


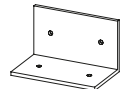
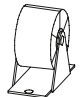
B1  x16	B03  x16	D0  3,0x15 x40
D1  3,5x16 x48	D2  3,5x30 x12	R1  x8
K1  x8	K1  x4	Z  x1

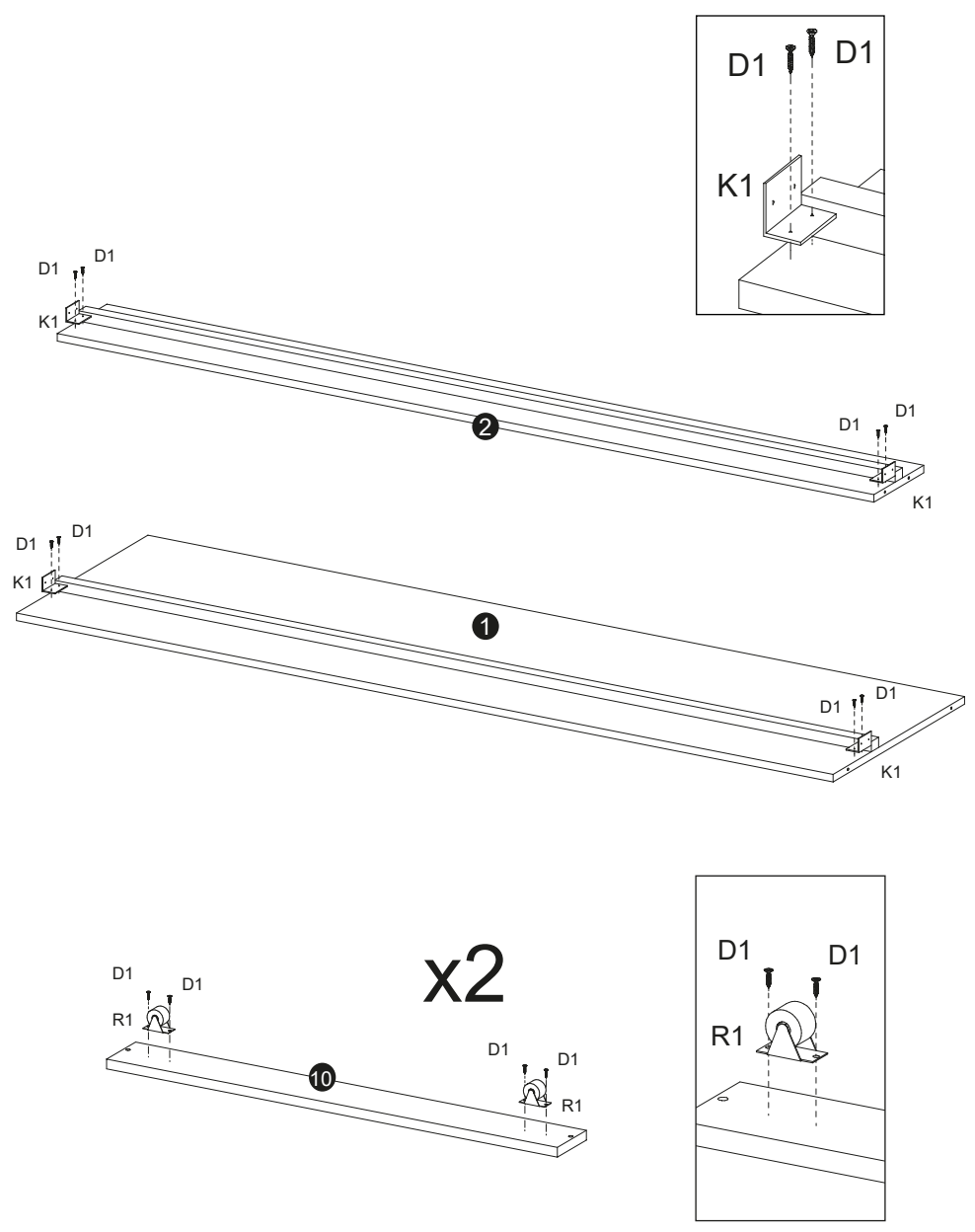
1	1900 x 530	1
2	1900 x 200	1
3	850-950 x 650	2
4	1890 x 160	1
5	1798 x 100	1

6	1798 x 100	1
7	763-863 x 100	2
8	1900 x 800-900	1
9	790-890 x 610	1
10	795-895 x 100	3

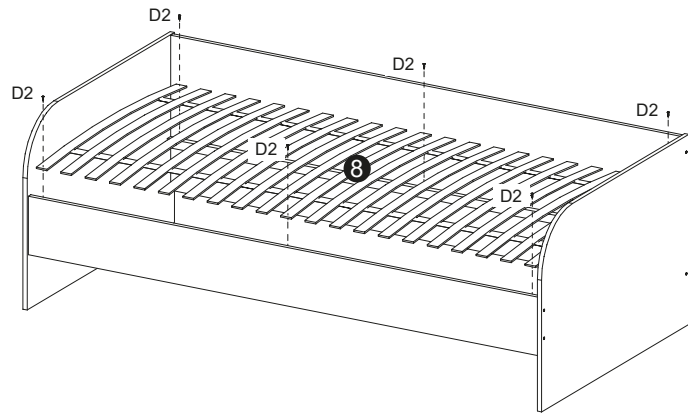
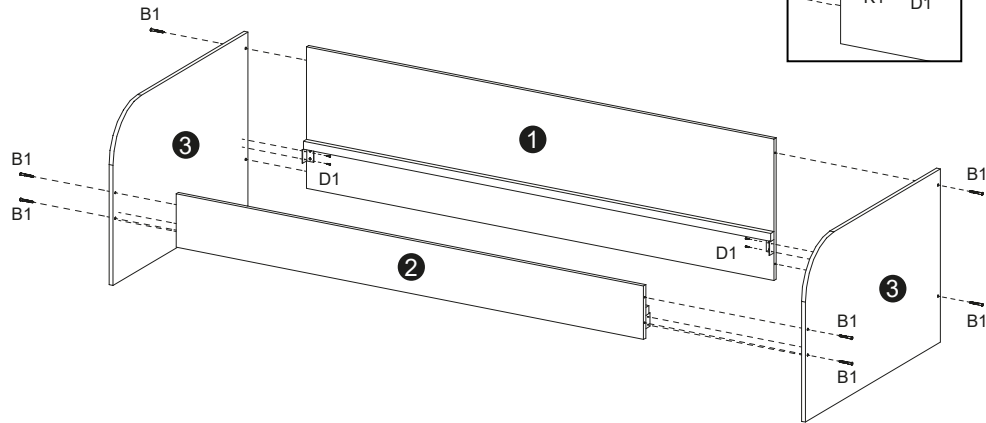
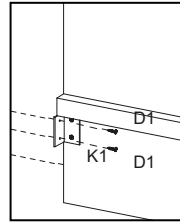
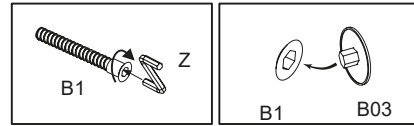
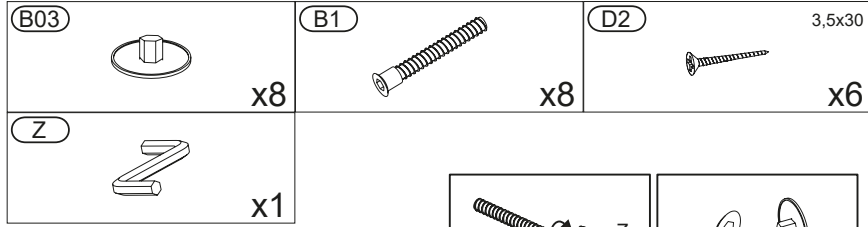


1

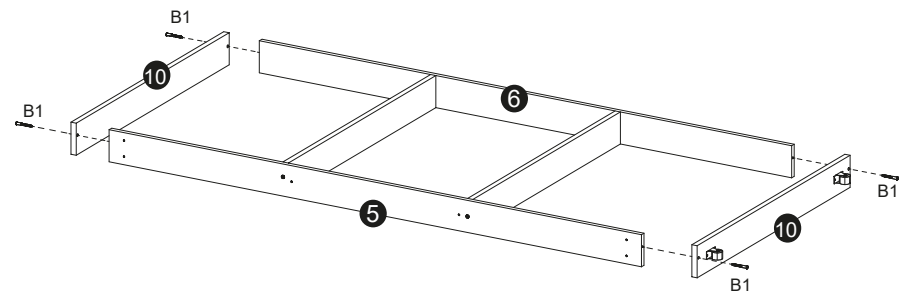
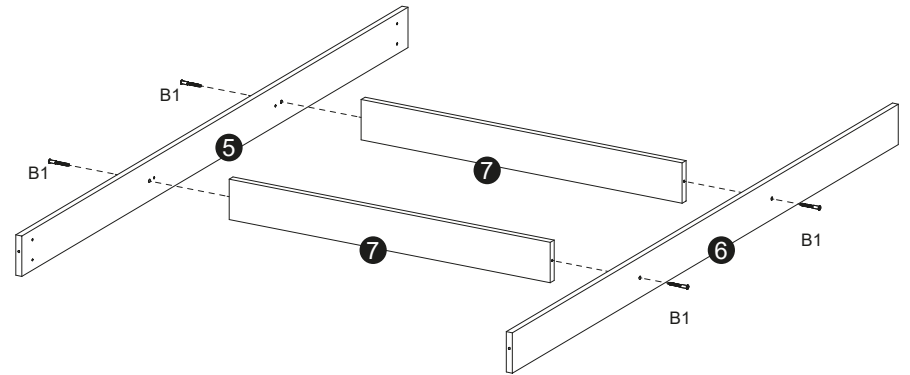
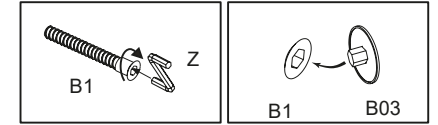
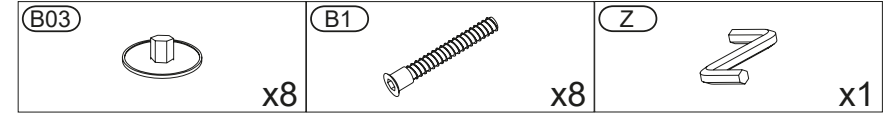
D1  3,5x16 x16	K1  x4	R1  x4
---	---	---



2



3

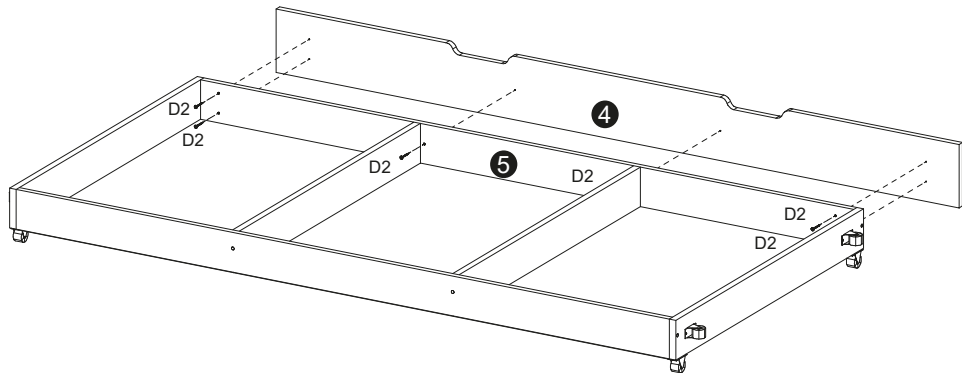
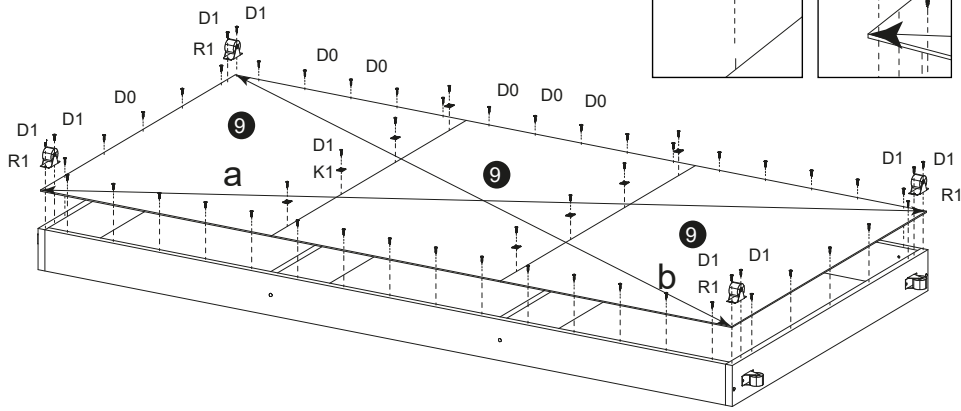
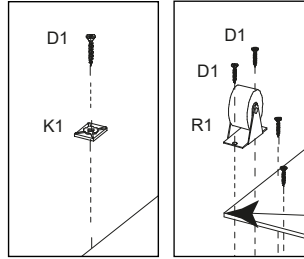


4

(D0) 3,0x15 x40	(D1) 3,5x16 x16	(D2) 3,5x30 x6
(R1) x4	(K1) x8	



a=b



5

